

# PARTS LIST

## WESTERBEKE

35B Three

38B Four

42B Four

### Marine Diesel Engines

10.0 BTD-60 Hz

11.0 BTD-60 Hz

12.5 BTDA-60 Hz

7.5 BTD-50 Hz

8.3 BTD-50 Hz

9.4 BTDA-50 Hz

### Marine Diesel Generators

Publication #036776

Edition One

February 1990



# PARTS LIST

## WESTERBEKE

35B Three

38B Four

42B Four

### Marine Diesel Engines

10.0 BTD-60 Hz

11.0 BTD-60 Hz

12.5 BTDA-60 Hz

7.5 BTD-50 Hz

8.3 BTD-50 Hz

9.4 BTDA-50 Hz

### Marine Diesel Generators

Publication #036776

Edition One

February 1990



## IMPORTANT

### PRODUCT SOFTWARE DISCLAIMER

Product software of all kinds, such as brochures, drawings, technical data, operator's and workshop manuals, parts lists and parts price lists, and other information, instructions and specifications provided from sources other than Westerbeke, is not within Westerbeke's control and; accordingly, is provided to Westerbeke customers only as a courtesy and service. **Westerbeke cannot be responsible for the content of such software, makes no warranties or representations with respect thereto, including the accuracy, timeliness or completeness thereof, and will in no event be liable for any type of damages or injury incurred in connection with, or arising out of, the furnishing or use of such software.**

For example, components and subassemblies incorporated in Westerbeke's products and supplied by others (such as engine blocks, fuel systems and components, transmissions, electrical components, pumps and other products) are generally supported by their manufacturers with their own software, and Westerbeke must depend on such software for the design of Westerbeke's own product software. Such software may be outdated and no longer accurate. Routine changes made by Westerbeke's suppliers, of which Westerbeke rarely has notice in advance, are frequently not reflected in the supplier's software until after such changes take place.

Westerbeke customers should also keep in mind the time span between printings of Westerbeke product software and the unavoidable existence of earlier, non-current, Westerbeke software editions in the field. Additionally, most Westerbeke products include customer-requested special features that frequently do not include complete documentation.

In summation, product software provided with Westerbeke products, whether from Westerbeke or other suppliers, must not and cannot be relied upon exclusively as the definitive authority on the respective product. It not only makes good sense but is imperative that appropriate representatives of Westerbeke or the supplier in question be consulted to determine the accuracy and currency of the product software being consulted by the customer.

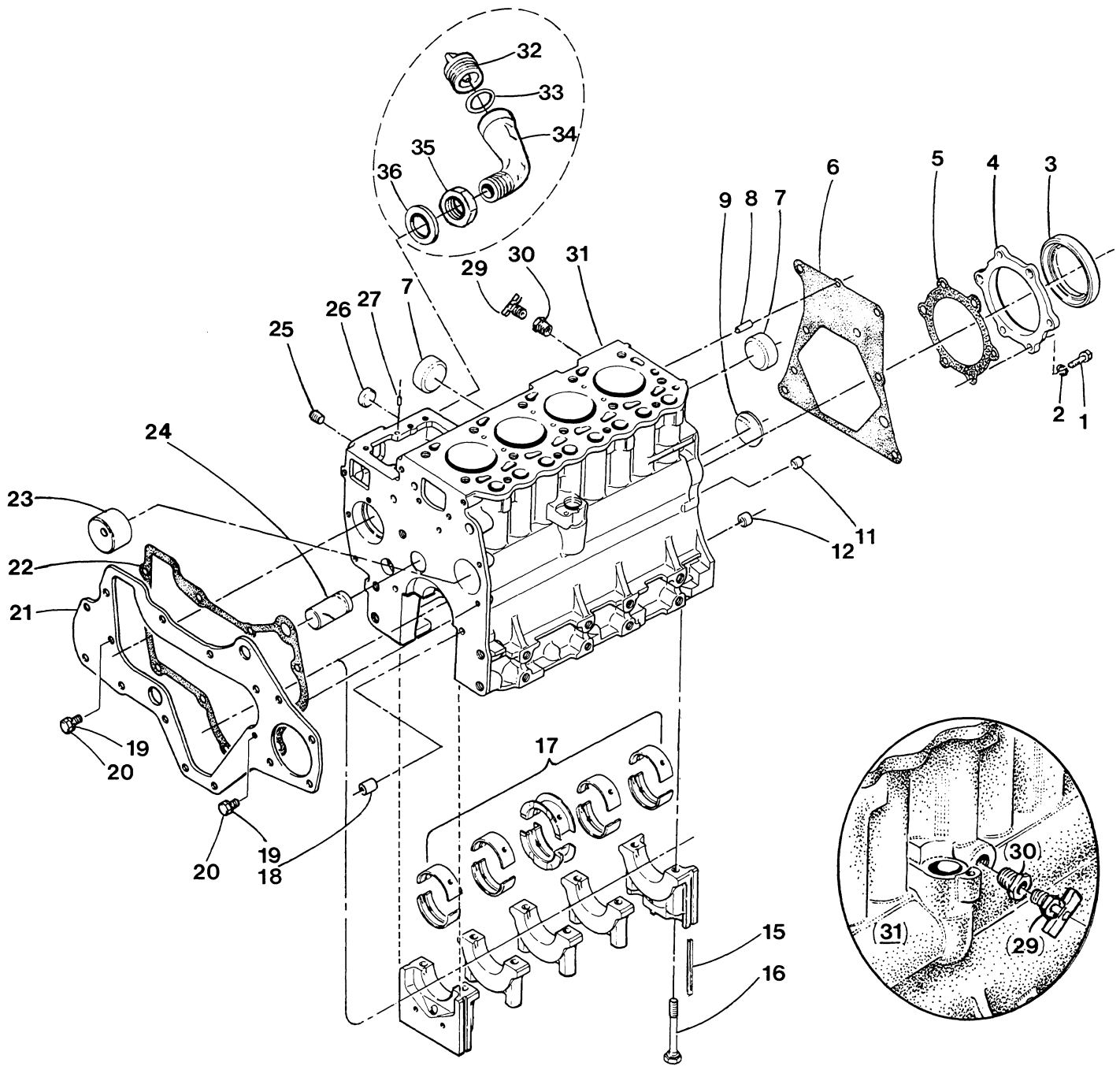
THIS PARTS LIST COVERS A FAMILY OF THREE ENGINE BLOCKS USED FOR PROPULSION AND GENERATOR APPLICATIONS. ALL REFERENCES IN THE BOOK FOR GENERATOR APPLICATIONS REFER TO THE 60 HERTZ MODEL BUT ARE APPLICABLE FOR THE CORRESPONDING 50 HERTZ MODEL AS LISTED IN THE CHART BELOW.

| PROPULSION MODEL | 60HZ GENERATOR | 50HZ GENERATOR |
|------------------|----------------|----------------|
| 35B THREE        | 10.0 BTD-614   | 7.5 BTD-514    |
| 38B FOUR         | 11.0 BTD-614   | 8.3 BTD-514    |
| 42B FOUR         | 12.5 BTDA-614  | 9.4 BTDA-514   |

#### TABLE OF CONTENTS

| PAGE | DESCRIPTION   |
|------|---|
| 100  | PROPULSION AND GENERATOR - CYLINDER BLOCK               |
| 102  | PROPULSION AND GENERATOR - CYLINDER HEAD                |
| 104  | PROPULSION AND GENERATOR - TIMING COVER AND SUMP        |
| 106  | PROPULSION AND GENERATOR - CRANKSHAFT AND PISTONS       |
| 108  | PROPULSION AND GENERATOR - CAMSHAFT AND ROCKER SHAFT    |
| 110  | PROPULSION AND GENERATOR - LUBE OIL PUMP AND FILTER     |
| 112  | PROPULSION AND GENERATOR - INTAKE MANIFOLD              |
| 114  | PROPULSION AND GENERATOR - GOVERNOR SYSTEM              |
| 116  | PROPULSION - THROTTLE AND STOP CABLE BRACKET            |
| 118  | PROPULSION - FUEL SYSTEM                                |
| 122  | GENERATOR - FUEL SYSTEM                                 |
| 126  | PROPULSION AND GENERATOR - FUEL INJECTOR                |
| 128  | PROPULSION - COOLING SYSTEM                             |
| 132  | GENERATOR - COOLING SYSTEM                              |
| 136  | PROPULSION AND GENERATOR - FRESH WATER PUMP             |
| 138  | PROPULSION AND GENERATOR - SEA WATER PUMP               |
| 140  | PROPULSION - FRONT OPENING EXHAUST MANIFOLD             |
| 142  | PROPULSION - BACK END - MODEL JS TRANSMISSION - MOUNTS  |
| 146  | PROPULSION - MODEL JS TRANSMISSION SHIFTING BRACKET     |
| 148  | PROPULSION - BACK END - MODEL HBW TRANSMISSION - MOUNTS |
| 152  | PROPULSION - MODEL HBW TRANSMISSION SHIFTING BRACKET    |
| 154  | GENERATOR - BACK END - GENERATOR - MOUNTING SYSTEM      |
| 158  | GENERATOR - AC OUTPUT AND REGULATOR                     |
| 160  | PROPULSION - ELECTRICAL SYSTEM                          |
| 162  | PROPULSION - INSTRUMENT PANELS                          |
| 164  | GENERATOR - ELECTRICAL SYSTEM                           |
| 168  | GENERATOR - CONTROL PANEL                               |
| 170  | PROPULSION AND GENERATOR - ALTERNATOR                   |
| 172  | PROPULSION AND GENERATOR - STARTER MOTOR                |
| 174  | GENERATOR - BELT GUARD                                  |
| 176  | PROPULSION AND GENERATOR - MISCELLANEOUS                |

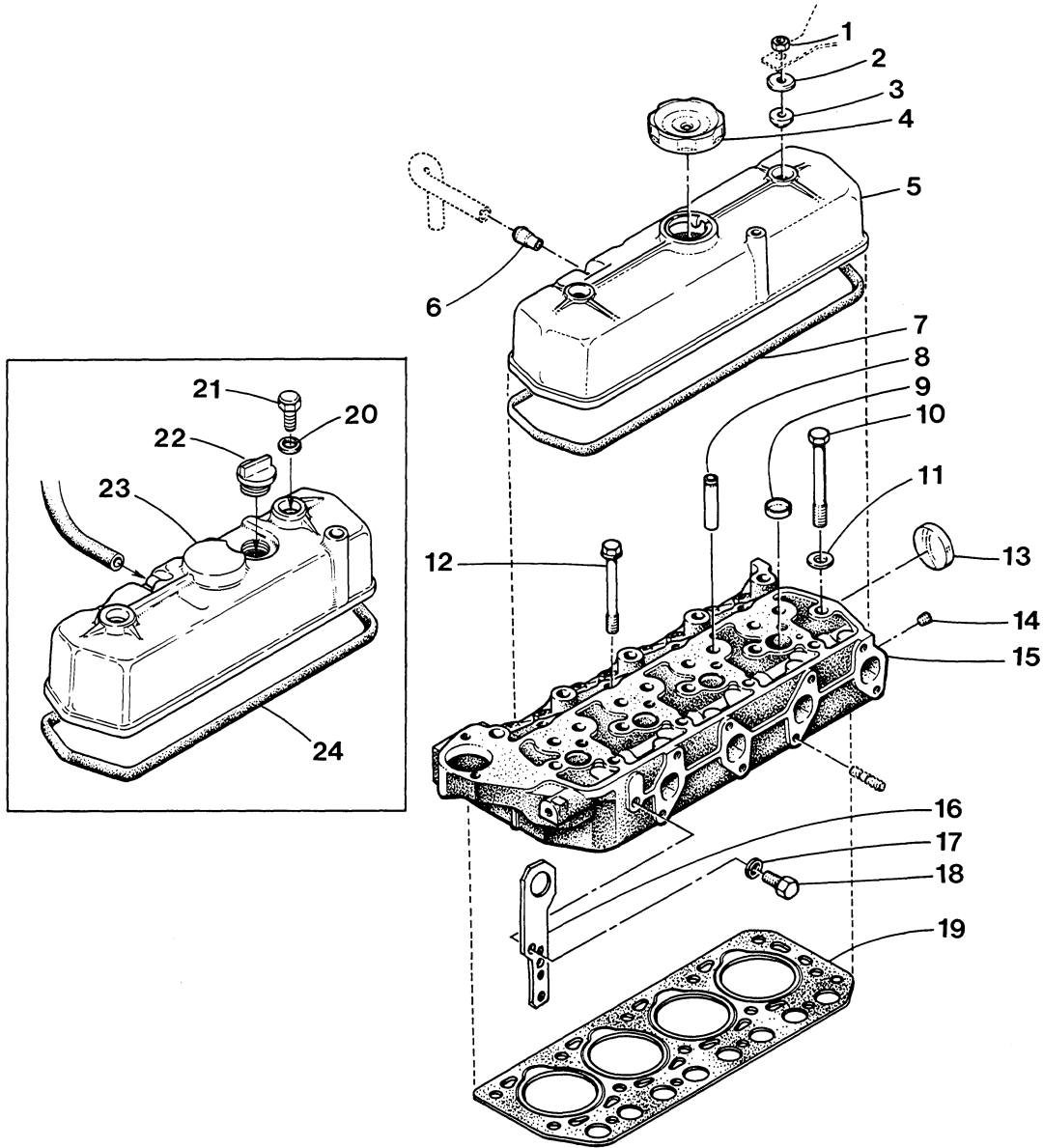
35B - 38B - 42B - 10.0 BTD - 11.0 BTD - 12.5 BTDA - CYLINDER BLOCK



35B - 38B - 42B - 10.0 BTD - 11.0 BTD - 12.5 BTDA - CYLINDER BLOCK

| REF  | PN     | NAME       | REMARKS                       | QUAN |
|------|--------|------------|-------------------------------|------|
| 1    | 013630 | CAPSCREW   | M 8 X 25 DIN 933              | 6    |
| 2    | 031786 | LOCKWASHER | M 8 DIN 127                   | 6    |
| 3    | 030395 | SEAL       | OIL                           | 1    |
| 4    | 030489 | HOUSING    | OIL SEAL                      | 1    |
| 5    | 030490 | GASKET     | OIL SEAL HOUSING              | 1    |
| 6    | 030491 | GASKET     | BACKPLATE                     | 1    |
| 7-1  | 030717 | PLUG       | EXPANSION-45 3 CYLINDER       | 2    |
| 7-2  | 030717 | PLUG       | EXPANSION-45 4 CYLINDER       | 3    |
| 8    | 030272 | DOWEL      |                               | 1    |
| 9    | 030286 | PLUG       | EXPANSION-40                  | 1    |
| 11   | 030706 | DOWEL      | TUBULAR 8X9                   | 2    |
| 12   | 030709 | DOWEL      | TUBULAR 12X9                  | 1    |
| 15   | 030390 | SEAL       | SIDE                          | 4    |
| 16-1 | 030389 | BOLT       | MAIN BEARING CAP 3 CYLINDER   | 8    |
| 16-2 | 030389 | BOLT       | MAIN BEARING CAP 4 CYLINDER   | 10   |
| 17-1 | 037701 | BEARING    | SET MAIN STD 3 CYLINDER       | 1    |
| 17-2 | 037702 | BEARING    | SET MAIN 0.25 3 CYLINDER      | 1    |
| 17-3 | 037703 | BEARING    | SET MAIN 0.50 3 CYLINDER      | 1    |
| 17-4 | 037704 | BEARING    | SET MAIN 0.75 3 CYLINDER      | 1    |
| 17-5 | 037672 | BEARING    | SET MAIN STD 4 CYLINDER       | 1    |
| 17-6 | 037677 | BEARING    | SET MAIN 0.25 4 CYLINDER      | 1    |
| 17-7 | 037678 | BEARING    | SET MAIN 0.50 4 CYLINDER      | 1    |
| 17-8 | 037679 | BEARING    | SET MAIN 0.75 4 CYLINDER      | 1    |
| 18   | 030707 | DOWEL      | TUBULAR 8X13                  | 2    |
| 19   | 031786 | LOCKWASHER | M 8 DIN 127                   | 3    |
| 20   | 016789 | CAPSCREW   | M 8 X 16 DIN 933              | 3    |
| 21   | 030492 | PLATE      | FRONT                         | 1    |
| 22   | 030493 | GASKET     | FRONT PLATE TO BLOCK          | 1    |
| 23   | 030488 | BUSHING    | CAMSHAFT                      | 1    |
| 24   | 030487 | SHAFT      | IDLER GEAR                    | 1    |
| 25   | 030712 | PLUG       | 1/4BSPT DIN 906               | 3    |
| 26   | 024373 | PLUG       | EXPANSION-25                  | 2    |
| 27   | 036943 | DOWEL      |                               | 2    |
| 29   | 011471 | PETCOCK    | 3 CYLINDER                    | 1    |
| 30-1 | 024752 | ADAPTER    | 1/4BSPT TO 1/8 NPT 3 CYLINDER | 1    |
| 30-2 | 030712 | PLUG       | 1/4BSPT 4 CYLINDER            | 1    |
| 31-1 | 037763 | BLOCK      | ASSEMBLY 35B                  | 1    |
| 31-2 | 037501 | BLOCK      | ASSEMBLY 10.0 BTD             | 1    |
| 31-3 | 034977 | BLOCK      | ASSEMBLY 38B                  | 1    |
| 31-4 | 035398 | BLOCK      | ASSEMBLY 11.0 BTD             | 1    |
| 31-5 | 037766 | BLOCK      | ASSEMBLY 42B                  | 1    |
| 31-6 | 037768 | BLOCK      | ASSEMBLY 12.5 BTDA            | 1    |
| 32   | 033126 | CAP        | OIL FILLER WITH O-RING        | 1    |
| 33   | 033123 | O-RING     | OIL FILLER CAP                | 1    |
| 34   | 034670 | ELBOW      | OIL FILLER TO BLOCK           | 1    |
| 35   | 034669 | NUT        | OIL FILLER ELBOW              | 1    |
| 36   | 034667 | WASHER     | OIL FILLER ELBOW              | 1    |

35B - 38B - 42B - 10.0 BTD - 11.0 BTD - 12.5 BTDA - CYLINDER HEAD

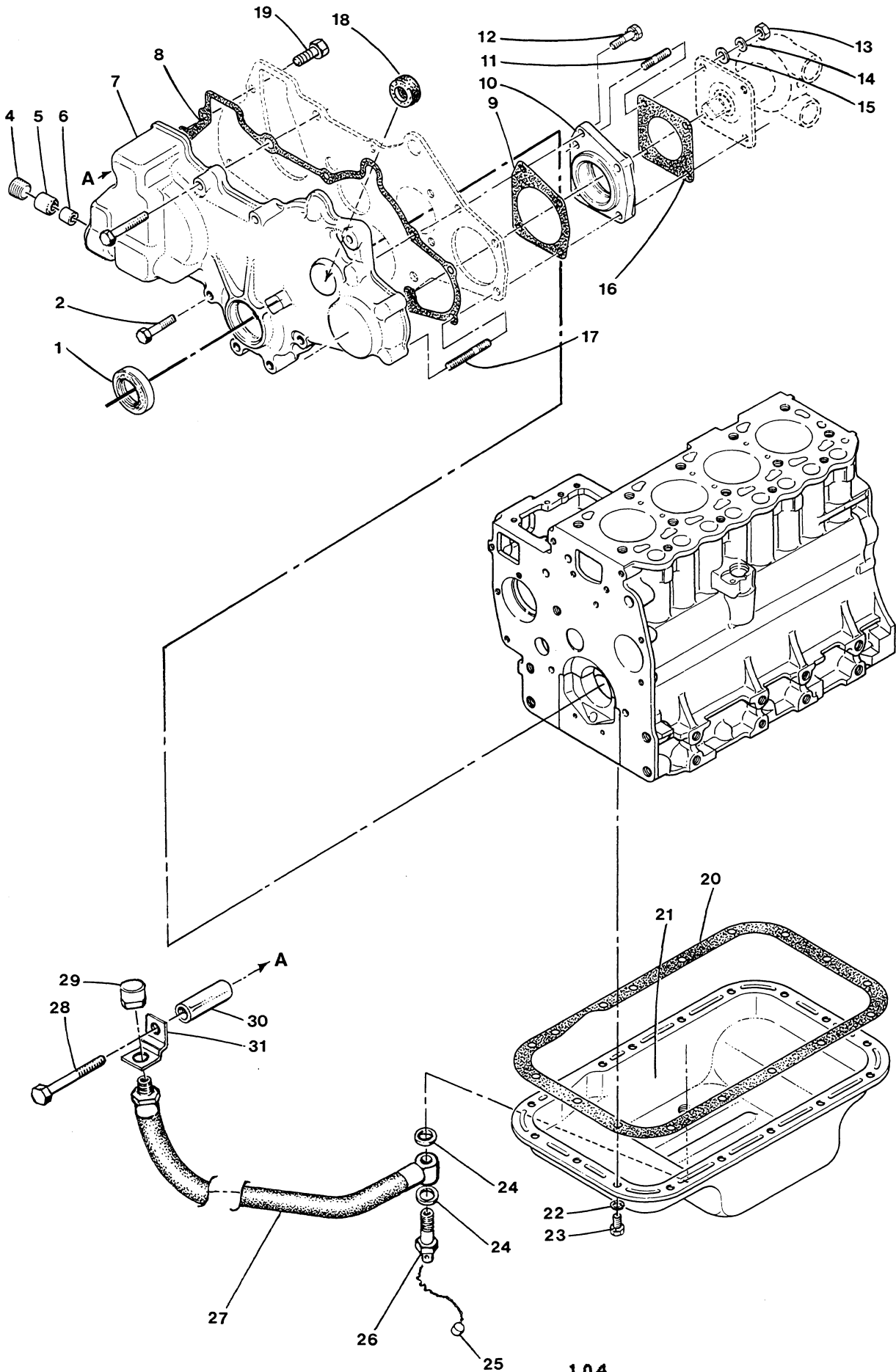


## 35B - 38B - 42B - 10.0 BTD - 11.0 BTD - 12.5 BTDA - CYLINDER HEAD

| REF  | PN     | NAME       | REMARKS                                | QUAN |
|------|--------|------------|--|------|
| 1    | 018242 | NUT        | M 8 DIN 934 4 CYLINDER                 | 2    |
| 2    | 030517 | WASHER     | 4 CYLINDER                             | 2    |
| 3    | 030780 | SEAL       | OIL-ROCKER COVER STUD 4 CYLINDER       | 2    |
| 4    | 030237 | CAP        | OIL FILLER 4 CYLINDER                  | 1    |
| 5    | 030514 | COVER      | ROCKER INCL REF 6 4 CYLINDER           | 1    |
| 6    | 030219 | CONNECTOR  | BREATHER HOSE TO COVER                 | 1    |
| 7    | 030516 | GASKET     | ROCKER COVER 4 CYLINDER                | 1    |
| 8-1  | 030506 | GUIDE      | VALVE 3 CYLINDER                       | 6    |
| 8-2  | 030506 | GUIDE      | VALVE 4 CYLINDER                       | 8    |
| 9-1  | 024373 | PLUG       | EXPANSION-25 3 CYLINDER                | 3    |
| 9-2  | 024373 | PLUG       | EXPANSION-25 4 CYLINDER                | 4    |
| 10-1 | 030512 | BOLT       | CYLINDER HEAD-LONG 3 CYLINDER          | 8    |
| 10-2 | 030512 | BOLT       | CYLINDER HEAD-LONG 4 CYLINDER          | 10   |
| 11-1 | 030243 | WASHER     | HEAD BOLT 3 CYLINDER                   | 8    |
| 11-2 | 030243 | WASHER     | HEAD BOLT 4 CYLINDER                   | 10   |
| 12-1 | 030383 | BOLT       | CYLINDER HEAD-SHORT 3 CYLINDER         | 3    |
| 12-2 | 030383 | BOLT       | CYLINDER HEAD-SHORT 4 CYLINDER         | 4    |
| 13   | 030717 | PLUG       | EXPANSION-45                           | 1    |
| 14   | 030711 | PLUG       | 1/8                                    | 1    |
| 15-1 | 037676 | HEAD       | CYLINDER INCL REF 8-9-13 35B,10.0 BTD  | 1    |
| 15-2 | 037674 | HEAD       | CYLINDER INCL REF 8-9-13 38B,11.0 BTD  | 1    |
| 15-3 | 037675 | HEAD       | CYLINDER INCL REF 8-9-13 42B,12.5 BTDA | 1    |
| 16-1 | 030131 | EYE        | LIFTING GENSET FRONT AND REAR          | 2    |
| 16-2 | 030131 | EYE        | LIFTING PROPULSION FRONT               | 1    |
| 17   | 019262 | LOCKWASHER | M10 DIN 127                            | 1    |
| 18   | 024952 | CAPSCREW   | M10 X 1.25 X 20 DIN 961                | 1    |
| 19-1 | 037661 | GASKET     | CYLINDER HEAD 35B,10.0 BTD             | 1    |
| 19-2 | 030507 | GASKET     | CYLINDER HEAD 38B,11.0 BTD             | 1    |
| 19-3 | 037687 | GASKET     | CYLINDER HEAD 42B,12.5 BTDA            | 1    |
| 20   | 030289 | SEAL       | ROCKER COVER CAPSCREW 3 CYLINDER       | 2    |
| 21   | 034672 | CAPSCREW   | M 8 X 11 DIN 933 3 CYLINDER            | 2    |
| 22-1 | 033126 | CAP        | OIL FILL INCL O-RING 3 CYLINDER        | 1    |
| 22-2 | 033123 | O-RING     |  | 1    |
| 23   | 037671 | COVER      | ROCKER INCL REF 6 3 CYLINDER           | 1    |
| 24   | 030515 | GASKET     | ROCKER COVER 3 CYLINDER                | 1    |



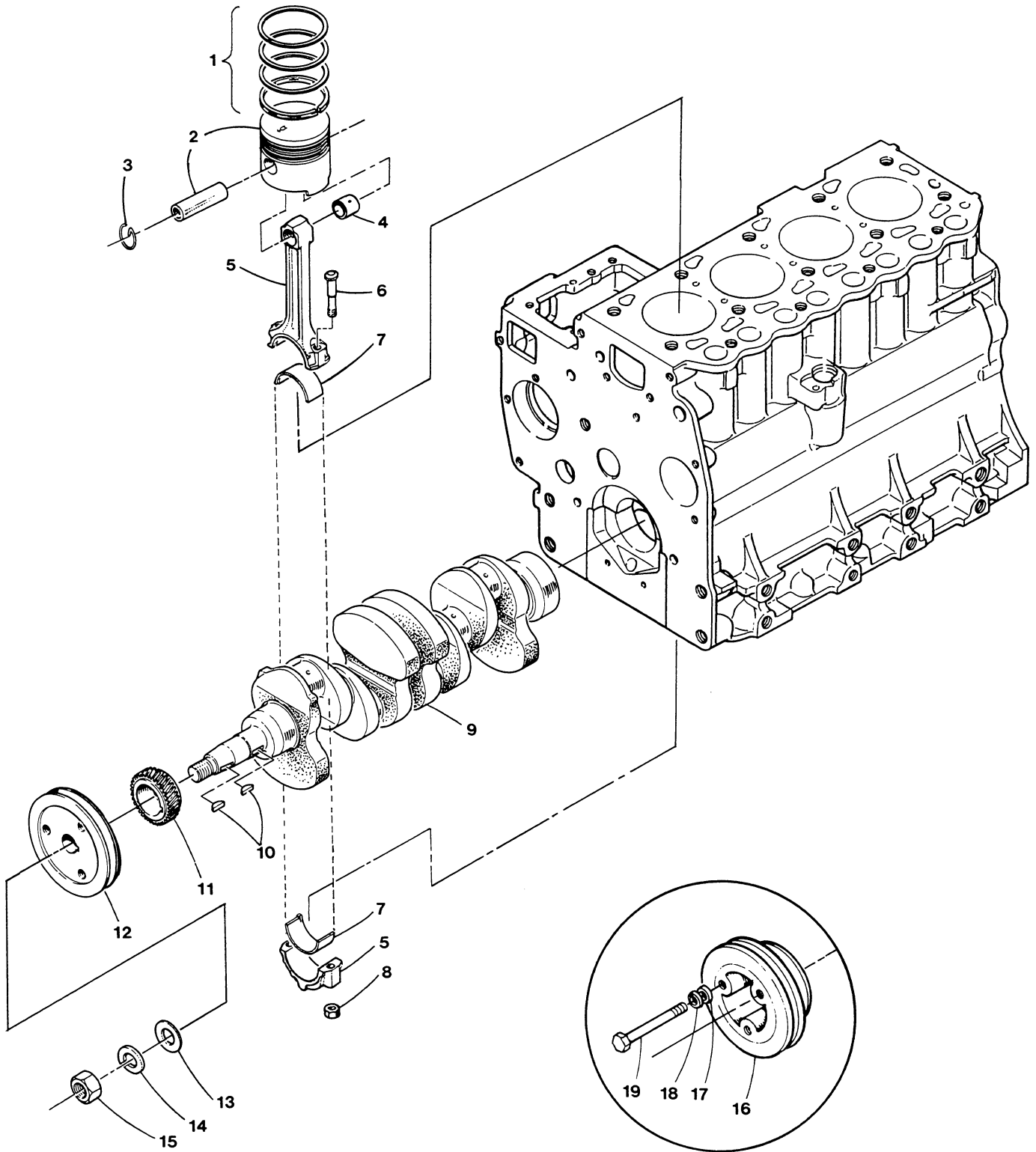
35B - 38B - 42B - 10 BTD - 11 BTD - 12.5 BTDA - TIMING COVER AND SUMP



## 35B - 38B - 42B - 10 BTD - 11 BTD - 12.5 BTDA - TIMING COVER AND SUMP

| REF  | PN     | NAME       | REMARKS                        | QUAN |
|------|--------|------------|--------------------------------|------|
| 1    | 030209 | SEAL       | OIL                            | 1    |
| 2    | 024948 | CAPSCREW   | M 8 X 45 DIN 931               | 7    |
| 4    | 030713 | PLUG       | 1/2                            | 1    |
| 5    | 030411 | BEARING    | NEEDLE                         | 1    |
| 6    | 030410 | BEARING    | NEEDLE                         | 1    |
| 7    | 030494 | COVER      | TIMING                         | 1    |
| 8    | 030495 | GASKET     | TIMING COVER                   | 1    |
| 9    | 030589 | GASKET     | BEARING HOUSING                | 1    |
| 10   | 030588 | HOUSING    | BEARING                        | 1    |
| 11   | 015828 | STUD       | M 8 X 22 DIN 939               | 1    |
| 12-1 | 013619 | CAPSCREW   | M 8 X 30 DIN 933               | 1    |
| 12-2 | 031786 | LOCKWASHER | M 8 DIN 127                    | 1    |
| 13   | 018242 | NUT        | M 8 DIN 934                    | 4    |
| 14   | 031786 | LOCKWASHER | M 8 DIN 127                    | 4    |
| 15   | 031787 | WASHER     | M 8 DIN 125                    | 4    |
| 16   | 030326 | GASKET     | WATER PUMP TO HOUSING          | 1    |
| 17   | 031282 | STUD       | M 8 X 45 DIN 939               | 3    |
| 18   | 033278 | PLUG       | THRUST                         | 1    |
| 19   | 035792 | CAPSCREW   | M 8 X 16 INCL LOCKWASHER       | 2    |
| 20-1 | 030498 | GASKET     | OIL SUMP 3 CYLINDER            | 1    |
| 20-2 | 030499 | GASKET     | OIL SUMP 4 CYLINDER            | 1    |
| 21-1 | 034673 | SUMP       | OIL 3 CYLINDER                 | 1    |
| 21-2 | 030497 | SUMP       | OIL 4 CYLINDER                 | 1    |
| 22-1 | 031786 | LOCKWASHER | M 8 DIN 127 3 CYLINDER         | 15   |
| 22-2 | 031786 | LOCKWASHER | M 8 DIN 127 4 CYLINDER         | 17   |
| 23-1 | 016789 | CAPSCREW   | M 8 X 16 DIN 933 3 CYLINDER    | 15   |
| 23-2 | 016789 | CAPSCREW   | M 8 X 16 DIN 933 4 CYLINDER    | 17   |
| 24   | 036493 | WASHER     | SUMP DRAIN BANJO               | 2    |
| 25   | 037393 | SEAL       | LEAD WIRE                      | 1    |
| 26   | 036819 | BOLT       | BANJO-SUMP DRAIN               | 1    |
| 27-1 | 031084 | HOSE       | SUMP DRAIN 35B                 | 1    |
| 27-2 | 034746 | HOSE       | SUMP DRAIN 10.0 BTD            | 1    |
| 27-3 | 031173 | HOSE       | SUMP DRAIN 38B, 42B            | 1    |
| 27-4 | 030846 | HOSE       | SUMP DRAIN V-DRIVE 38B, 42B    | 1    |
| 27-5 | 030846 | HOSE       | SUMP DRAIN 11.0 BTD, 12.5 BTDA | 1    |
| 28   | 031817 | CAPSCREW   | M 8 X 105 DIN 931              | 1    |
| 29   | 024905 | CAP        | SUMP DRAIN HOSE                | 1    |
| 30   | 033565 | SPACER     |                                | 1    |
| 31   | 024922 | BRACKET    | SUMP DRAIN HOSE                | 1    |

35B - 38B - 42B - 10 BTD - 11 BTD - 12.5 BTDA - CRANKSHAFT AND PISTONS



35B - 38B - 42B - 10 BTD - 11 BTD - 12.5 BTDA - CRANKSHAFT AND PISTONS

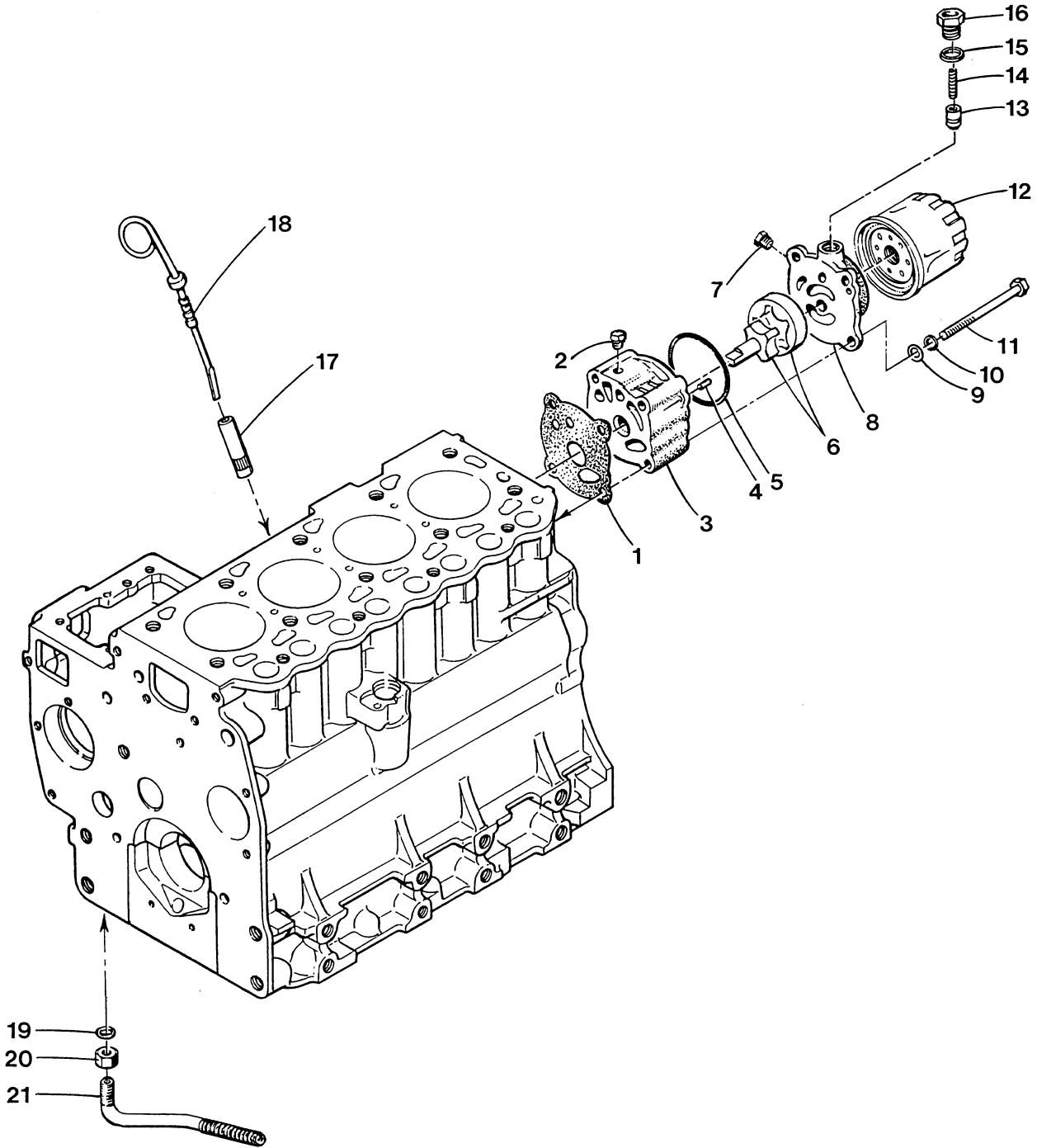
| REF  | PN     | NAME       | REMARKS                            | QUAN |
|------|--------|------------|------------------------------------|------|
| 1-01 | 037667 | RING SET   | STD 35B,10 BTD                     | 3    |
| 1-02 | 037668 | RING SET   | 0.25 35B,10 BTD                    | 3    |
| 1-03 | 037669 | RING SET   | 0.50 35B,10 BTD                    | 3    |
| 1-04 | 037271 | RING SET   | STD 38B,11 BTD                     | 4    |
| 1-05 | 037272 | RING SET   | 0.25 38B,11 BTD                    | 4    |
| 1-06 | 037273 | RING SET   | 0.50 38B,11 BTD                    | 4    |
| 1-07 | 037274 | RING SET   | 0.75 38B,11 BTD                    | 4    |
| 1-08 | 037667 | RING SET   | STD 42B,12 BTDA                    | 4    |
| 1-09 | 037668 | RING SET   | 0.25 42B,12.5 BTDA                 | 4    |
| 1-10 | 037669 | RING SET   | 0.50 42B,12.5 BTDA                 | 4    |
| 2-01 | 037699 | PISTON     | WITH PIN STD 35B,10 BTD            | 3    |
| 2-02 | 037705 | PISTON     | WITH PIN 0.25 35B,10 BTD           | 3    |
| 2-03 | 037706 | PISTON     | WITH PIN 0.50 35B,10 BTD           | 3    |
| 2-04 | 037683 | PISTON     | WITH PIN STD 38B,11 BTD            | 4    |
| 2-05 | 037684 | PISTON     | WITH PIN 0.25 38B,11 BTD           | 4    |
| 2-06 | 037685 | PISTON     | WITH PIN 0.50 38B,11 BTD           | 4    |
| 2-07 | 037686 | PISTON     | WITH PIN 0.75 38B,11 BTD           | 4    |
| 2-09 | 037705 | PISTON     | WITH PIN 0.25 42B,12.5 BTDA        | 4    |
| 2-10 | 037706 | PISTON     | WITH PIN 0.50 42B,12.5 BTDA        | 4    |
| 2-8  | 037699 | PISTON     | WITH PIN STD 42B,12.5 BTDA         | 4    |
| 3-1  | 030205 | CIRCLIP    | PISTON PIN RETAINING 35B,10 BTD    | 6    |
| 3-2  | 030205 | CIRCLIP    | PISTON PIN RETAINING 42B,12.5 BTDA | 8    |
| 4-1  | 037662 | BUSHING    | CONNECTING ROD 35B,10 BTD          | 3    |
| 4-2  | 037662 | BUSHING    | CONNECTING ROD 42B,12.5 BTDA       | 4    |
| 5-1  | 037660 | ROD        | CONNECTING 35B,10 BTD              | 3    |
| 5-2  | 030530 | ROD        | CONNECTING 38B,11 BTD              | 4    |
| 5-3  | 037660 | ROD        | CONNECTING 42B,12.5 BTDA           | 4    |
| 6-1  | 036914 | BOLT       | CONNECTING ROD 3 CYLINDER          | 6    |
| 6-2  | 036914 | BOLT       | CONNECTING ROD 4 CYLINDER          | 8    |
| 7-1  | 037673 | BEARING    | CONNECTING ROD SET STD 3 CYLINDER  | 3    |
| 7-2  | 037680 | BEARING    | CONNECTING ROD SET 0.25 3 CYLINDER | 3    |
| 7-3  | 037681 | BEARING    | CONNECTING ROD SET 0.50 3 CYLINDER | 3    |
| 7-4  | 037682 | BEARING    | CONNECTING ROD SET 0.75 3 CYLINDER | 3    |
| 7-5  | 037673 | BEARING    | CONNECTING ROD SET STD 4 CYLINDER  | 4    |
| 7-6  | 037680 | BEARING    | CONNECTING ROD SET 0.25 4 CYLINDER | 4    |
| 7-7  | 037681 | BEARING    | CONNECTING ROD SET 0.50 4 CYLINDER | 4    |
| 7-8  | 037682 | BEARING    | CONNECTING ROD SET 0.75 4 CYLINDER | 4    |
| 8-1  | 030231 | NUT        | CONNECTING ROD BOLT 3 CYLINDER     | 6    |
| 8-2  | 030231 | NUT        | CONNECTING ROD BOLT 4 CYLINDER     | 8    |
| 9-1  | 037655 | CRANKSHAFT | 35B,10 BTD                         | 1    |
| 9-2  | 030537 | CRANKSHAFT | 38B,11 BTD                         | 1    |
| 9-3  | 037656 | CRANKSHAFT | 42B,12.5 BTDA                      | 1    |
| 10   | 030275 | KEY        |                                    | 2    |
| 11   | 030416 | GEAR       | CRANKSHAFT                         | 1    |
| 12-1 | 032181 | PULLEY     | CRANKSHAFT 3 CYLINDER              | 1    |
| 12-2 | 032182 | PULLEY     | CRANKSHAFT 4 CYLINDER              | 1    |
| 13   | 032175 | WASHER     | FLAT M18                           | 1    |
| 14   | 032176 | LOCKWASHER | M18                                | 1    |
| 15   | 032172 | NUT        | M18                                | 1    |
| 16   | 033930 | PULLEY     | DRIVE ALTERNATOR-PUMP              | 1    |
| 17   | 031789 | WASHER     | M10 DIN 125                        | 3    |
| 18   | 019262 | LOCKWASHER | M10 DIN 127                        | 3    |
| 19   | 031819 | CAPSCREW   | M10 X 1.25 X 60 DIN 961            | 3    |



## 35B - 38B - 42B - 10 BTD - 11 BTD - 12.5 BTDA - CAMSHAFT-ROCKER SHAFT

| REF  | PN     | NAME       | REMARKS                            | QUAN |
|------|--------|------------|------------------------------------|------|
| 1    | 030279 | SNAPRING   |                                    | 2    |
| 2-1  | 031821 | CAPSCREW   | M10 X 1.25 X 70 DIN 961 3 CYLINDER | 1    |
| 2-2  | 031821 | CAPSCREW   | M10 X 1.25 X 70 DIN 961 4 CYLINDER | 2    |
| 3-1  | 030543 | SHAFT      | ROCKER ASSEMBLY 3 CYLINDER         | 1    |
| 3-2  | 030544 | SHAFT      | ROCKER ASSEMBLY 4 CYLINDER         | 1    |
| 4-1  | 030232 | SPRING     | ROCKER SHAFT 3 CYLINDER            | 2    |
| 4-2  | 030232 | SPRING     | ROCKER SHAFT 4 CYLINDER            | 3    |
| 5-1  | 031804 | NUT        | M10 X 1.25 JAM 3 CYLINDER          | 6    |
| 5-2  | 031804 | NUT        | M10 X 1.25 JAM 4 CYLINDER          | 8    |
| 6-1  | 030438 | ROCKER     | ARM 3 CYLINDER                     | 6    |
| 6-2  | 030438 | ROCKER     | ARM 4 CYLINDER                     | 8    |
| 7-1  | 030195 | SCREW      | ADJUSTING 3 CYLINDER               | 6    |
| 7-2  | 030195 | SCREW      | ADJUSTING 4 CYLINDER               | 8    |
| 8-1  | 030542 | PUSHROD    | 3 CYLINDER                         | 6    |
| 8-2  | 030542 | PUSHROD    | 4 CYLINDER                         | 8    |
| 9    | 035800 | CAPSCREW   | M 6 X 16 JIS INCL LOCKWASHER       | 2    |
| 10   | 030545 | STUD       | BRACKET AND COVER                  | 2    |
| 11   | 019262 | LOCKWASHER | M10 DIN 127                        | 2    |
| 12   | 030440 | WASHER     |                                    | 2    |
| 13   | 030299 | BRACKET    | ROCKER SHAFT 3 CYLINDER            | 3    |
| 13-2 | 030299 | BRACKET    | ROCKER SHAFT 4 CYLINDER            | 4    |
| 14-1 | 030241 | LOCK       | VALVE 3 CYLINDER                   | 12   |
| 14-2 | 030241 | LOCK       | VALVE 4 CYLINDER                   | 16   |
| 15-1 | 030240 | SEAT       | VALVE SPRING UPPER 3 CYLINDER      | 6    |
| 15-2 | 030240 | SEAT       | VALVE SPRING UPPER 4 CYLINDER      | 8    |
| 16-1 | 030346 | SPRING     | VALVE 3 CYLINDER                   | 6    |
| 16-2 | 030346 | SPRING     | VALVE 4 CYLINDER                   | 8    |
| 17-1 | 030242 | SEAL       | OIL 3 CYLINDER                     | 6    |
| 17-2 | 030242 | SEAL       | OIL 4 CYLINDER                     | 8    |
| 18-1 | 037654 | SEAT       | VALVE SPRING LOWER 3 CYLINDER      | 6    |
| 18-2 | 037654 | SEAT       | VALVE SPRING LOWER 4 CYLINDER      | 8    |
| 19-1 | 030510 | VALVE      | EXHAUST 3 CYLINDER                 | 3    |
| 19-2 | 030510 | VALVE      | EXHAUST 4 CYLINDER                 | 4    |
| 20-1 | 030361 | TAPPET     | 3 CYLINDER                         | 6    |
| 20-2 | 030361 | TAPPET     | 4 CYLINDER                         | 8    |
| 21-1 | 030508 | VALVE      | INTAKE 3 CYLINDER                  | 3    |
| 21-2 | 030508 | VALVE      | INTAKE 4 CYLINDER                  | 4    |
| 22-1 | 030546 | CAMSHAFT   | INJECTION PUMP 3 CYLINDER          | 1    |
| 22-2 | 030547 | CAMSHAFT   | INJECTION PUMP 4 CYLINDER          | 1    |
| 23   | 030273 | KEY        | GEAR TO SHAFT                      | 1    |
| 24   | 030434 | BEARING    | INJECTION PUMP CAMSHAFT            | 1    |
| 25-1 | 031787 | WASHER     | M 8 DIN 125                        | 1    |
| 25-2 | 031786 | LOCKWASHER | M 8 DIN 127                        | 1    |
| 26   | 016789 | CAPSCREW   | M 8 X 16 DIN 933                   | 1    |
| 27   | 030435 | GEAR       | INJECTION PUMP CAMSHAFT            | 1    |
| 28   | 030541 | GEAR       | IDLER                              | 1    |
| 29   | 030437 | GEAR       | CAMSHAFT                           | 1    |
| 30   | 030202 | BEARING    | PUMP GEAR                          | 1    |
| 31   | 030590 | GEAR       | SEA WATER PUMP DRIVE               | 1    |
| 32   | 030198 | BEARING    | PUMP GEAR                          | 1    |
| 33-1 | 037280 | CAMSHAFT   | 3 CYLINDER                         | 1    |
| 33-2 | 037279 | CAMSHAFT   | 4 CYLINDER                         | 1    |
| 34   | 030275 | KEY        | GEAR TO CAMSHAFT                   | 1    |

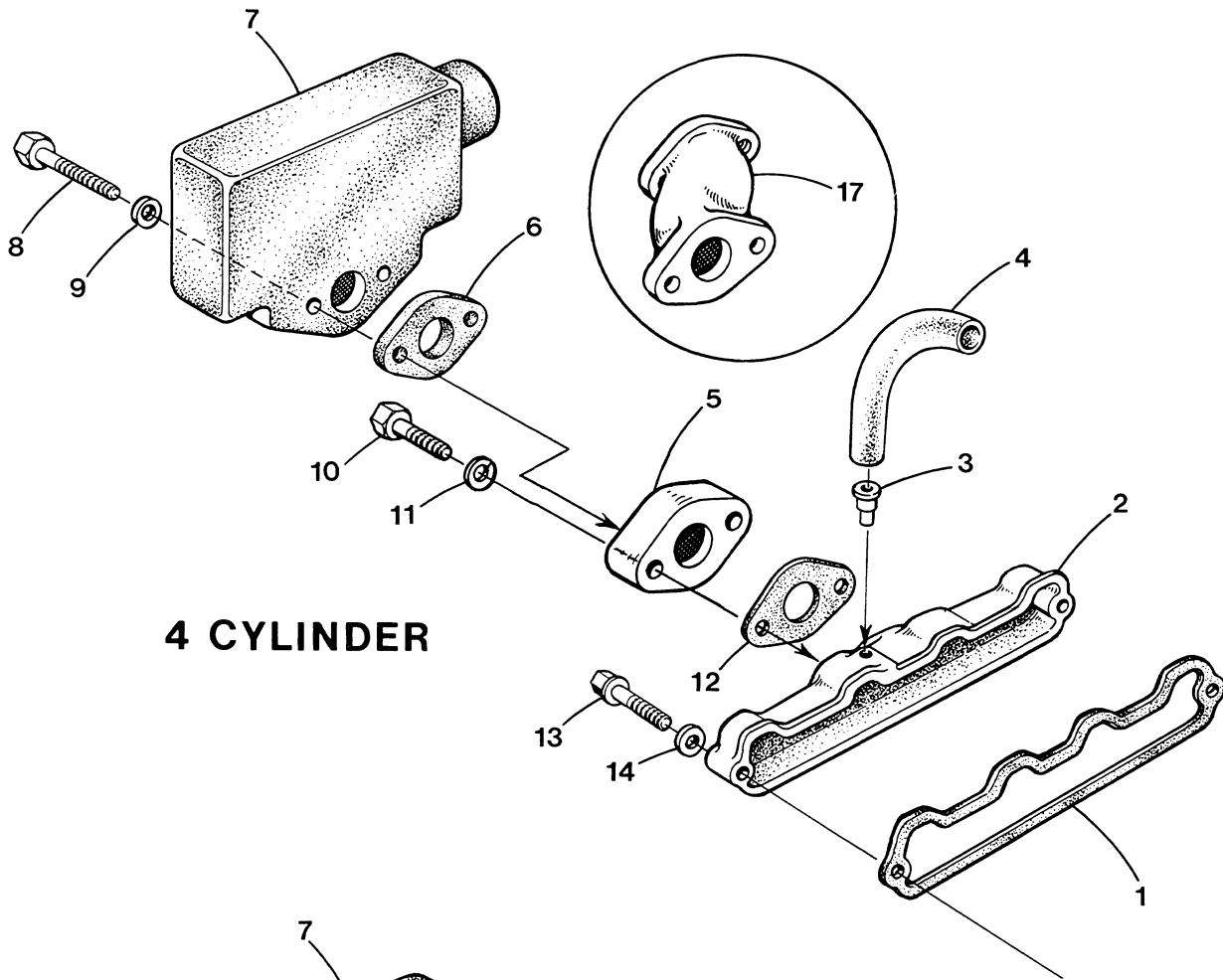
35B - 38B - 42B - 10.0 BTD - 11.0 BTD - 12.5 BTDA - LUBE OIL PUMP



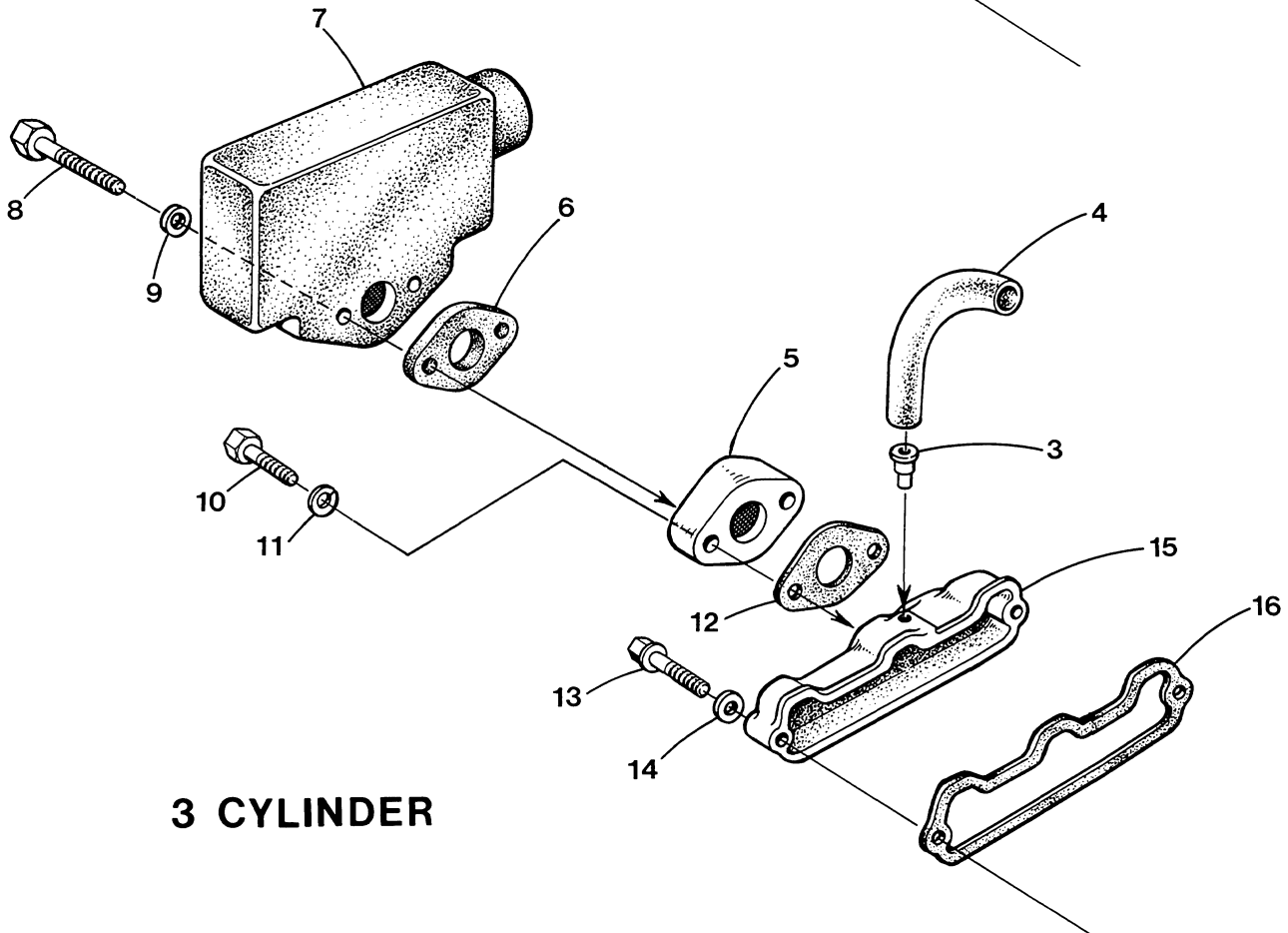
35B - 38B - 42B - 10.0 BTD - 11.0 BTD - 12.5 BTDA - LUBE OIL PUMP

| REF  | PN     | NAME       | REMARKS                  | QUAN |
|------|--------|------------|--------------------------|------|
| 1    | 030458 | GASKET     | OIL PUMP TO BLOCK        | 1    |
| 2    | 030711 | PLUG       | 1/8                      | 1    |
| 3-1  | 030581 | PUMP       | OIL REF 2-16 EXCEPT 9-11 | 1    |
| 3-2  | 030582 | HOUSING    | OIL PUMP                 | 1    |
| 4    | 030224 | DOWEL      | HOUSING TO COVER         | 2    |
| 5    | 030464 | O-RING     | HOUSING TO COVER         | 1    |
| 6    | 030459 | ROTOR      | ASSEMBLY                 | 1    |
| 7    | 030712 | PLUG       | 1/4                      | 1    |
| 8    | 030463 | COVER      | OIL PUMP                 | 1    |
| 9    | 031787 | WASHER     | M 8 DIN 125              | 4    |
| 10   | 031786 | LOCKWASHER | M 8 DIN 127              | 4    |
| 11   | 031812 | CAPSCREW   | M 8 X 65 DIN 931         | 4    |
| 12-1 | 036918 | FILTER     | LUBE OIL 3 CYLINDER      | 1    |
| 12-2 | 035828 | FILTER     | LUBE OIL 4 CYLINDER      | 1    |
| 13   | 030244 | PLUNGER    | RELIEF VALVE             | 1    |
| 14   | 030584 | SPRING     | RELIEF VALVE             | 1    |
| 15   | 030225 | GASKET     | RELIEF VALVE             | 1    |
| 16   | 030461 | PLUG       | RELIEF VALVE             | 1    |
| 17   | 030391 | TUBE       | DIPSTICK                 | 1    |
| 18   | 030587 | DIPSTICK   |                          | 1    |
| 19   | 033280 | WASHER     | OIL PICKUP TUBE          | 1    |
| 20   | 033538 | NUT        | M16 X 1.5 JAM            | 1    |
| 21-1 | 033282 | TUBE       | OIL PICKUP 3 CYLINDER    | 1    |
| 21-2 | 033283 | TUBE       | OIL PICKUP 4 CYLINDER    | 1    |





**4 CYLINDER**

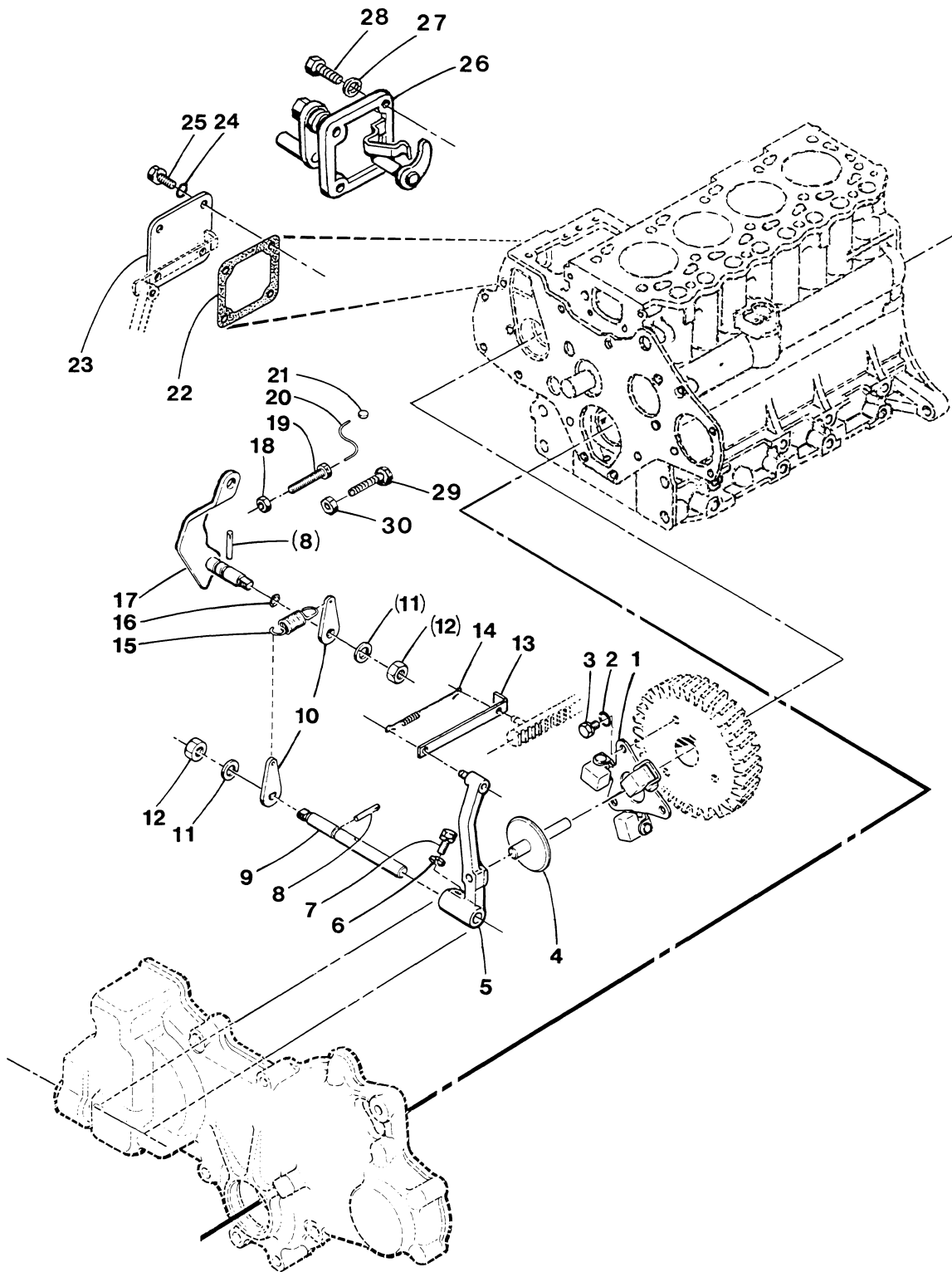


**3 CYLINDER**

## 35B - 38B - 42B - 10.0 BTD - 11.0 BTD - 12.5 BTDA - INTAKE MANIFOLD

| REF | PN     | NAME       | REMARKS                                | QUAN |
|-----|--------|------------|--|------|
| 1   | 030521 | GASKET     | INTAKE MANIFOLD TO HEAD 4 CYLINDER     | 1    |
| 2   | 030519 | MANIFOLD   | INTAKE 4 CYLINDER                      | 1    |
| 3   | 030219 | NIPPLE     | BREATHER HOSE TO MANIFOLD              | 1    |
| 4   | 032171 | HOSE       | BREATHER                               | 1    |
| 5   | 034238 | ADAPTER    | SILENCER 34744 TO MANIFOLD             | 1    |
| 6   | 034612 | GASKET     | SILENCER TO ADAPTER                    | 1    |
| 7-1 | 034744 | SILENCER   | AIR INTAKE 35B,10 BTD,11 BTD,12.5 BTDA | 1    |
| 7-2 | 034890 | SILENCER   | AIR INTAKE 38B,42B                     | 1    |
| 8   | 031561 | CAPSCREW   | 5/16NC X 2-1/2                         | 2    |
| 9   | 031758 | LOCKWASHER | 5/16                                   | 2    |
| 10  | 018812 | CAPSCREW   | M 8 X 70 DIN 931                       | 2    |
| 11  | 031786 | LOCKWASHER | M 8 DIN 127                            | 2    |
| 12  | 034668 | GASKET     | ADAPTER TO MANIFOLD                    | 1    |
| 13  | 018811 | CAPSCREW   | M 8 X 40 DIN 931                       | 2    |
| 14  | 031786 | LOCKWASHER | M 8 DIN 127                            | 2    |
| 15  | 030518 | MANIFOLD   | INTAKE 3 CYLINDER                      | 1    |
| 16  | 030520 | GASKET     | INTAKE MANIFOLD TO HEAD 3 CYLINDER     | 1    |
| 17  | 034646 | ADAPTER    | SILENCER 34890 TO MANIFOLD             | 1    |

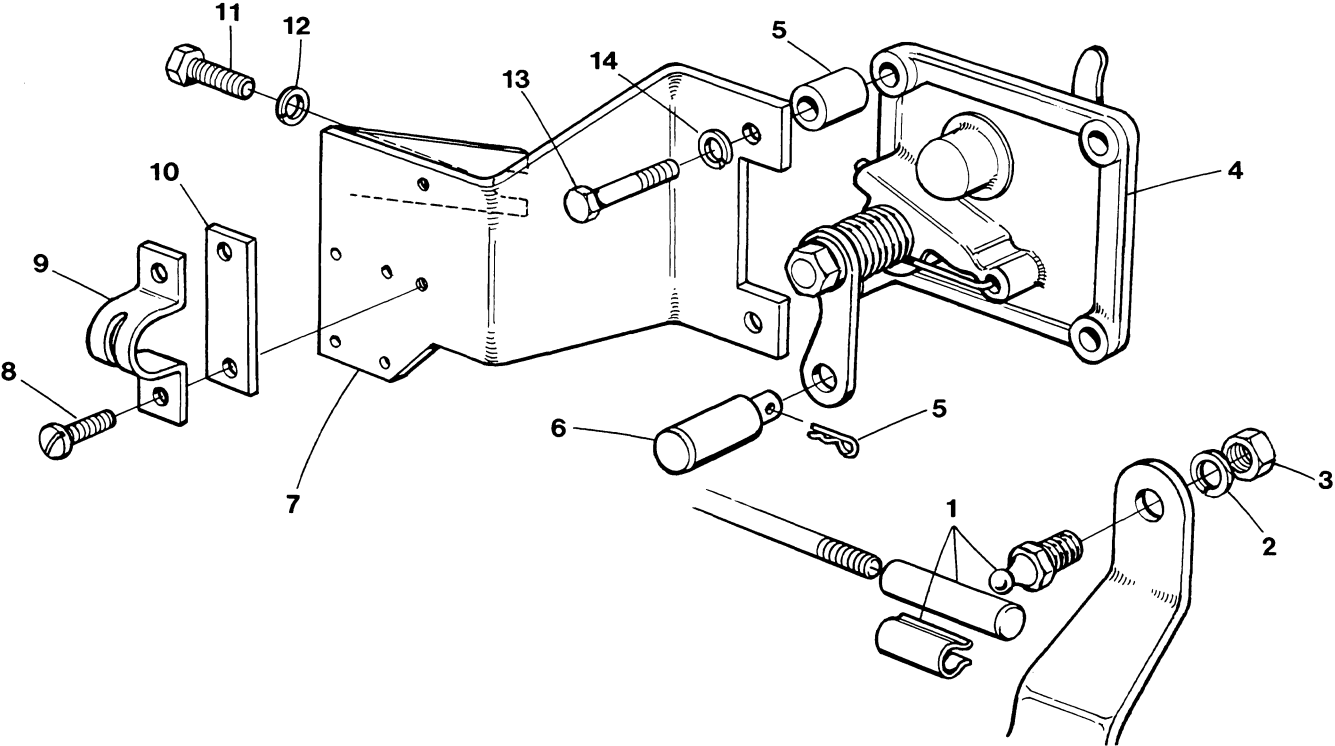
35B - 38B - 42B - 10.0 BTD - 11.0 BTD - 12.5 BTDA - GOVERNOR SYSTEM



35B - 38B - 42B - 10.0 BTD - 11.0 BTD - 12.5 BTDA - GOVERNOR SYSTEM

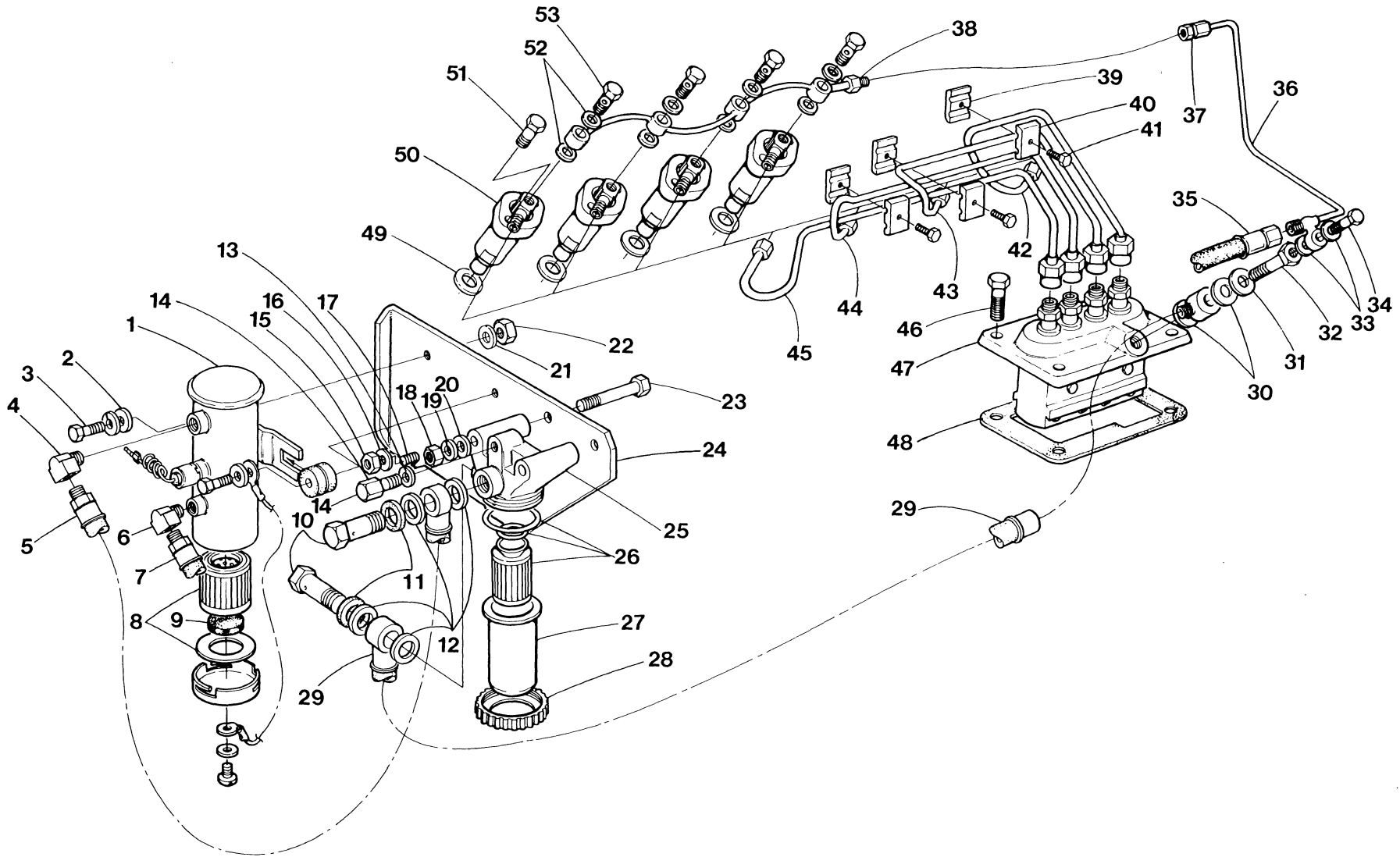
| REF  | PN     | NAME       | REMARKS                                  | QUAN |
|------|--------|------------|--|------|
| 1    | 030449 | WEIGHT     | ASSEMBLY-GOVERNOR                        | 1    |
| 2    | 031783 | LOCKWASHER | M 6 DIN 127                              | 3    |
| 3    | 015816 | CAPSCREW   | M 6 X 10 DIN 933                         | 3    |
| 4    | 033799 | SHAFT      | ASSEMBLY-SLIDING                         | 1    |
| 5    | 030452 | LEVER      | GOVERNOR                                 | 1    |
| 6    | 031783 | LOCKWASHER | M 6 DIN 127                              | 1    |
| 7    | 031810 | CAPSCREW   | M 6 X 14 DIN 933                         | 1    |
| 8    | 030208 | PIN        | GROOVED                                  | 2    |
| 9    | 030453 | SHAFT      | GOVERNOR                                 | 1    |
| 10   | 030454 | LEVER      | GOVERNOR SPRING                          | 2    |
| 11   | 031786 | LOCKWASHER | M 8 DIN 127                              | 2    |
| 12   | 031802 | NUT        | M 8 JAM                                  | 2    |
| 13   | 037657 | ROD        | TIE                                      | 1    |
| 14   | 037658 | SPRING     | TIE ROD                                  | 1    |
| 15-1 | 037659 | SPRING     | GOVERNOR-PROPULSION                      | 1    |
| 15-2 | 030385 | SPRING     | GOVERNOR-GENERATOR                       | 1    |
| 16   | 030277 | O-RING     |  | 1    |
| 17   | 030575 | LEVER      | SPEED CONTROL                            | 1    |
| 18   | 031801 | NUT        | M 6 JAM                                  | 1    |
| 19   | 030323 | SCREW      | HIGH SPEED SETTING-DO NOT USE ON GENSET  | 1    |
| 20   | 030293 | WIRE       | SEAL HIGH SPEED BOLT-PROPULSION          | 1    |
| 21   | 030292 | SEAL       | LEAD-PROPULSION                          | 1    |
| 22   | 030578 | GASKET     | TIE ROD COVER                            | 1    |
| 23   | 030577 | COVER      | TIE ROD-GENERATOR                        | 1    |
| 24   | 031783 | LOCKWASHER | M 6 DIN 127                              | 4    |
| 25   | 031810 | CAPSCREW   | M 6 X 14 DIN 933-GENERATOR               | 4    |
| 26   | 033274 | COVER      | TIE ROD & STOP LEVER ASSEMBLY-PROPULSION | 1    |
| 27   | 031783 | LOCKWASHER | M 6 DIN 127                              | 4    |
| 28-1 | 013590 | CAPSCREW   | M 6 X 30 DIN 933                         | 2    |
| 28-2 | 018804 | CAPSCREW   | M 6 X 20 DIN 933                         | 2    |
| 29   | 020628 | CAPSCREW   | M 6 X 25 DIN 933 LOW IDLE ADJUSTING      | 1    |
| 30   | 031801 | NUT        | M 6 JAM                                  | 1    |

35B - 38B - 42B - THROTTLE AND STOP CABLE BRACKET



## 35B - 38B - 42B - THROTTLE AND STOP CABLE BRACKET

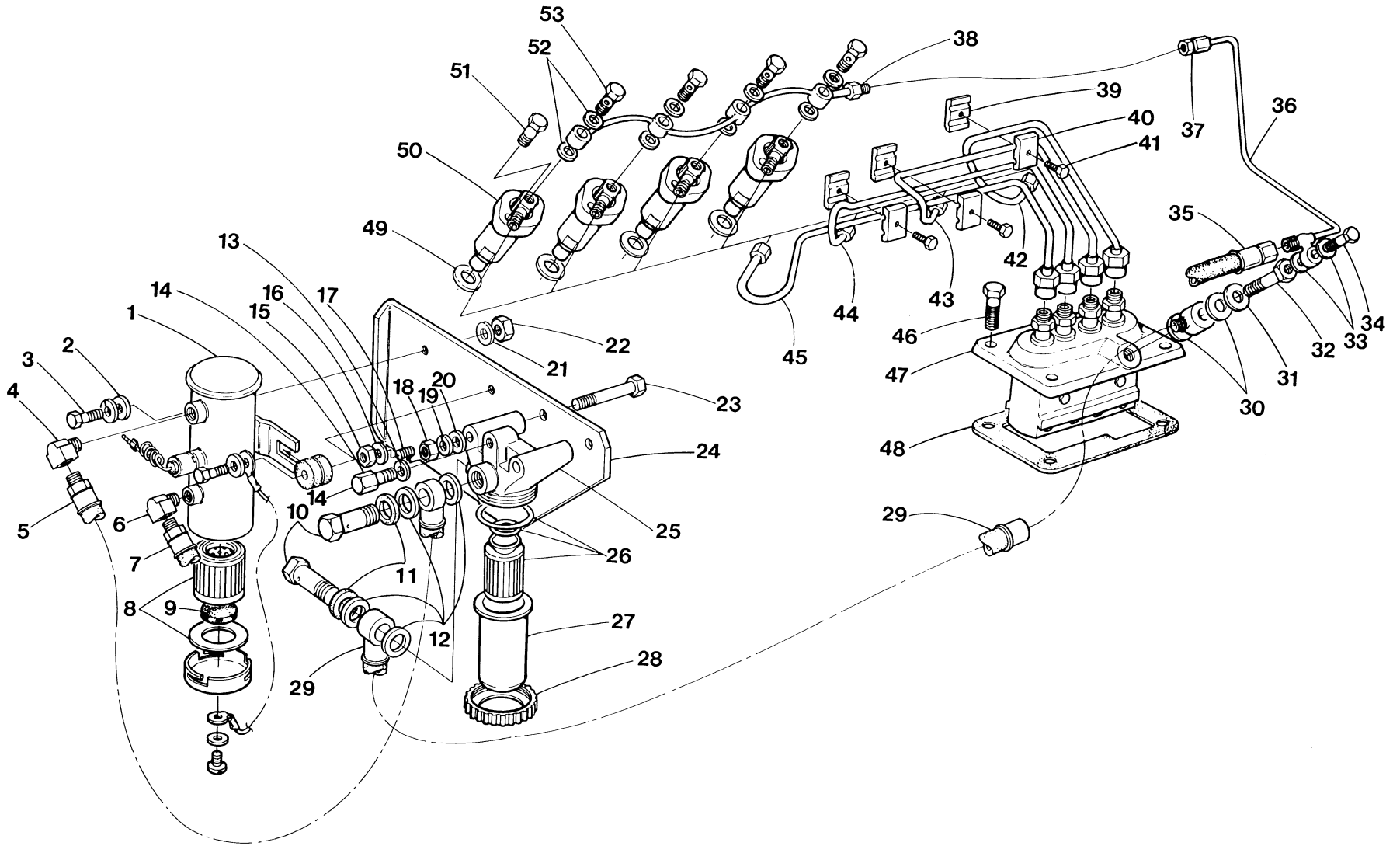
| REF  | PN     | NAME       | REMARKS                        | QUAN |
|------|--------|------------|--------------------------------|------|
| 1    | 019364 | BALL JOINT | THROTTLE CABLE                 | 1    |
| 2    | 031849 | LOCKWASHER | 10                             | 1    |
| 3    | 031847 | NUT        | 10-32                          | 1    |
| 4    | 033274 | COVER      | TIE ROD & STOP LEVER ASSEMBLY  | 1    |
| 5    | 011796 | COTTER PIN |                                | 1    |
| 6    | 033051 | PIVOT      | STOP CABLE                     | 1    |
| 7-1  | 032490 | BRACKET    | THROTTLE & STOP CABLES 35B     | 1    |
| 7-2  | 032487 | BRACKET    | THROTTLE & STOP CABLES 38B,42B | 1    |
| 8    | 031873 | SCREW      | 10-32 X 5/8                    | 2    |
| 9    | 013325 | CLAMP      | THROTTLE CABLE                 | 1    |
| 10   | 013870 | SHIM       | THROTTLE CABLE CLAMP           | 1    |
| 11   | 031812 | CAPSCREW   | M 8 X 65 DIN 931               | 1    |
| 12   | 031786 | LOCKWASHER | M 8 DIN 127                    | 1    |
| 13-1 | 013590 | CAPSCREW   | M 6 X 30 DIN 933               | 2    |
| 13-2 | 018804 | CAPSCREW   | M 6 X 20 DIN 933               | 2    |
| 14   | 031783 | LOCKWASHER | M 6 DIN 127                    | 4    |
| 15   | 033052 | SPACER     |                                | 1    |



35B - 38B - 42B - FUEL SYSTEM

| REF  | PN     | NAME       | REMARKS                          | QUAN |
|------|--------|------------|----------------------------------|------|
| 1    | 024831 | PUMP       | FUEL LIFT WITH FILTER 12VDC      | 1    |
| 2    | 031784 | WASHER     | M 6 DIN 127                      | 4    |
| 3    | 013590 | CAPSCREW   | M 6 X 30 DIN 933                 | 2    |
| 4    | 022513 | ELBOW      | 1/8NPT TO HOSE                   | 1    |
| 5    | 034741 | LINE       | LIFT PUMP TO FILTER INCL ELBOW   | 1    |
| 6    | 013340 | ELBOW      | 1/8NPT STREET                    | 1    |
| 7    | 030025 | HOSE       | FUEL SUPPLY 1/8NPT               | 1    |
| 8    | 030548 | ELEMENT    | LIFT PUMP FILTER INCL GASKET     | 1    |
| 9    | 033792 | MAGNET     | LIFT PUMP                        | 1    |
| 10   | 024984 | BOLT       | BANJO                            | 2    |
| 11   | 024972 | WASHER     | M14 ALUMINUM                     | 2    |
| 12   | 030291 | WASHER     | BANJO M14                        | 4    |
| 13   | 030289 | WASHER     | FILTER BLEED SCREW               | 1    |
| 14   | 030213 | SCREW      | FILTER BLEED                     | 1    |
| 15   | 018242 | NUT        | M 8 DIN 934                      | 2    |
| 16   | 031786 | LOCKWASHER | M 8 DIN 127                      | 2    |
| 17   | 015830 | STUD       | M 8 X 25 DIN 939                 | 2    |
| 18   | 018242 | NUT        | M 8 DIN 934                      | 2    |
| 19   | 031786 | LOCKWASHER | M 8 DIN 127                      | 2    |
| 20   | 031787 | WASHER     | M 8 DIN 125                      | 2    |
| 21   | 031783 | LOCKWASHER | M 6 DIN 127                      | 2    |
| 22   | 015812 | NUT        | M 6 DIN 934                      | 2    |
| 23   | 031225 | CAPSCREW   | M 8 X 60 DIN 931                 | 2    |
| 24   | 034422 | BRACKET    | FUEL FILTER & LIFT PUMP          | 1    |
| 25-1 | 030210 | FILTER     | FUEL                             | 1    |
| 25-2 | 030211 | HEAD       | FUEL FILTER                      | 1    |
| 26   | 030200 | ELEMENT    | FUEL FILTER INCL O-RINGS         | 1    |
| 27   | 030199 | CUP        | FUEL FILTER                      | 1    |
| 28   | 030212 | RETAINER   | FUEL FILTER CUP                  | 1    |
| 29-1 | 035027 | LINE       | FILTER TO INJECTION PUMP 35B     | 1    |
| 29-2 | 035034 | LINE       | FILTER TO INJECTION PUMP 38B,42B | 1    |
| 30   | 030291 | WASHER     | BANJO M14                        | 2    |
| 31   | 024972 | WASHER     | M14 ALUMINUM                     | 1    |
| 32-1 | 024916 | BOLT       | BANJO 35B                        | 1    |
| 32-2 | 024915 | BOLT       | BANJO 38B,42B                    | 1    |
| 33   | 030289 | WASHER     | BANJO M 8                        | 2    |
| 34   | 016988 | BOLT       | BANJO M 8                        | 1    |
| 35   | 034857 | HOSE       | FUEL RETURN                      | 1    |
| 36   | 034610 | LINE       | INJECTOR RETURN TO PUMP          | 1    |
| 37-1 | 024600 | UNION      | COMPRESSION INCL NUTS & FERRULES | 1    |
| 37-2 | 013343 | FERRULE    |                                  | 2    |
| 37-3 | 013344 | NUT        | COMPRESSION                      | 2    |
| 38-1 | 030569 | LINE       | INJECTOR LEAK-OFF 35B            | 1    |
| 38-2 | 030570 | LINE       | INJECTOR LEAK-OFF 38B,42B        | 1    |
| 39-1 | 030316 | CLAMP      | FUEL LINE 35B                    | 2    |
| 39-2 | 030316 | CLAMP      | FUEL LINE 38B,42B                | 3    |
| 40-1 | 030315 | CLAMP      | FUEL LINE 35B                    | 2    |
| 40-2 | 030315 | CLAMP      | FUEL LINE 38B,42B                | 3    |
| 41-1 | 020628 | CAPSCREW   | M 6 X 25 DIN 933 35B             | 2    |
| 41-2 | 020628 | CAPSCREW   | M 6 X 25 DIN 931 38B,42B         | 3    |

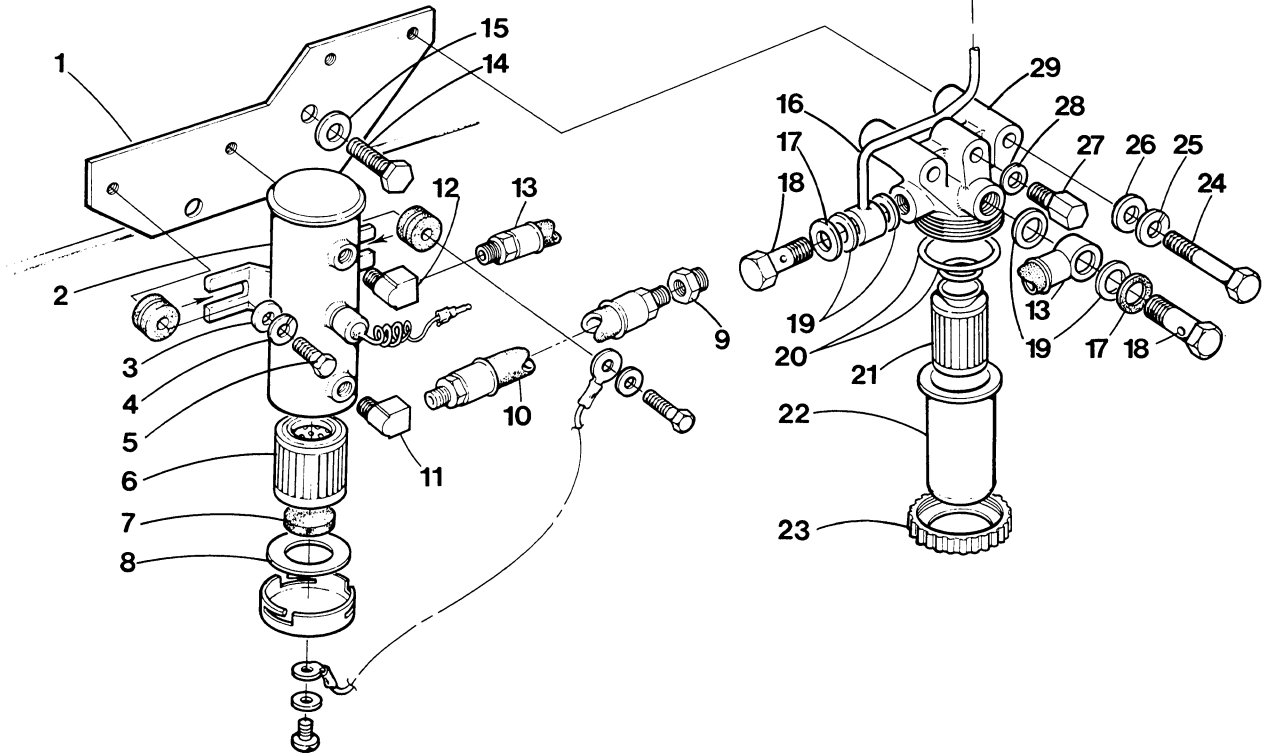
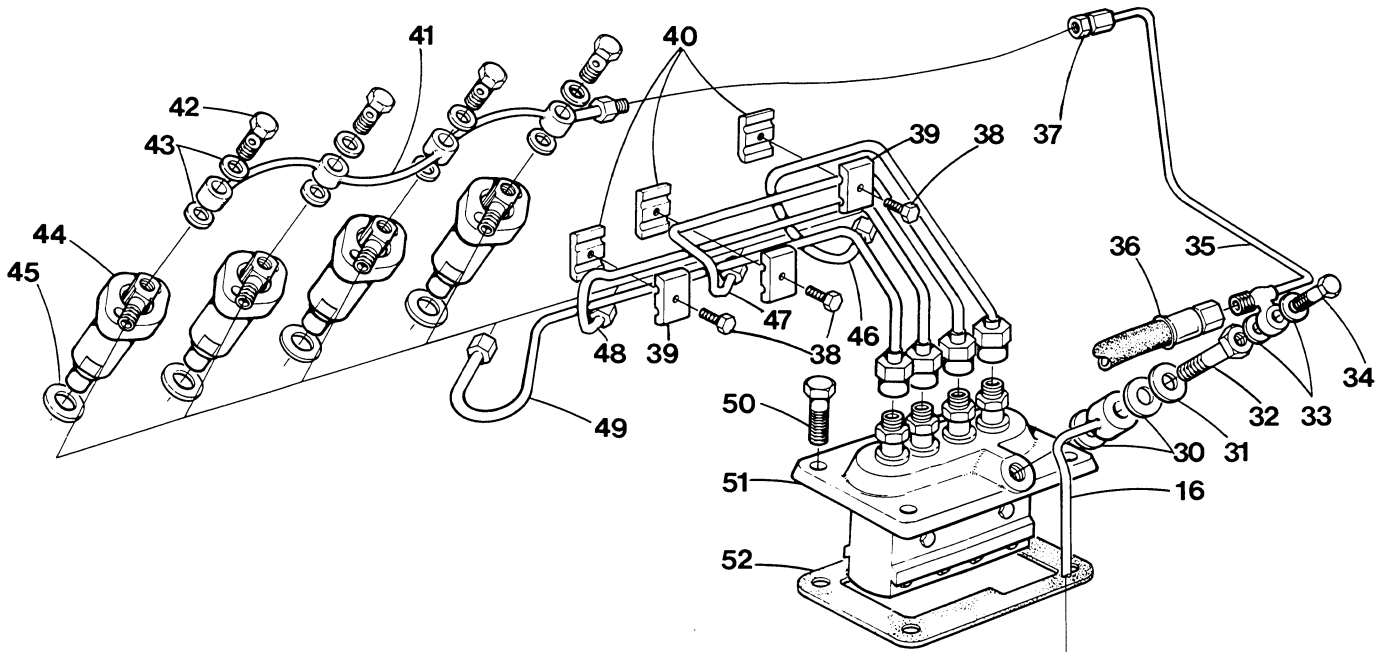




## 35B - 38B - 42B - FUEL SYSTEM

| REF   | PN     | NAME     | REMARKS                  | QUAN |
|-------|--------|----------|--------------------------|------|
| 42    | 037663 | LINE     | INJECTOR 1               | 1    |
| 43    | 037664 | LINE     | INJECTOR 2               | 1    |
| 44    | 037665 | LINE     | INJECTOR 3               | 1    |
| 45    | 037666 | LINE     | INJECTOR 4 38B,42B       | 1    |
| 46-1  | 017196 | CAPSCREW | M 8 X 20 DIN 933 35B     | 4    |
| 46-2  | 017196 | CAPSCREW | M 8 X 20 DIN 933 38B,42B | 6    |
| 47-1  | 037698 | PUMP     | FUEL INJECTION 35B       | 1    |
| 47-2  | 037688 | PUMP     | FUEL INJECTION 38B       | 1    |
| 47-3  | 037696 | PUMP     | FUEL INJECTION 42B       | 1    |
| 48- 1 | 030560 | SHIM     | 0.2MM 3 CYLINDER         | AR   |
| 48- 2 | 030561 | SHIM     | 0.3MM 3 CYLINDER         | AR   |
| 48- 3 | 030562 | SHIM     | 0.4MM 3 CYLINDER         | AR   |
| 48- 4 | 030563 | SHIM     | 0.5MM 3 CYLINDER         | AR   |
| 48- 5 | 030564 | SHIM     | 0.6MM 3 CYLINDER         | AR   |
| 48- 6 | 030565 | SHIM     | 0.7MM 3 CYLINDER         | AR   |
| 48- 7 | 030566 | SHIM     | 0.8MM 3 CYLINDER         | AR   |
| 48- 8 | 030567 | SHIM     | 0.9MM 3 CYLINDER         | AR   |
| 48- 9 | 030568 | SHIM     | 1.0MM 3 CYLINDER         | AR   |
| 48-10 | 030551 | SHIM     | 0.2MM 4 CYLINDER         | AR   |
| 48-11 | 030552 | SHIM     | 0.3MM 4 CYLINDER         | AR   |
| 48-12 | 030553 | SHIM     | 0.4MM 4 CYLINDER         | AR   |
| 48-13 | 030554 | SHIM     | 0.5MM 4 CYLINDER         | AR   |
| 48-14 | 030555 | SHIM     | 0.6MM 4 CYLINDER         | AR   |
| 48-15 | 030556 | SHIM     | 0.7MM 4 CYLINDER         | AR   |
| 48-16 | 030557 | SHIM     | 0.8MM 4 CYLINDER         | AR   |
| 48-17 | 030558 | SHIM     | 0.9MM 4 CYLINDER         | AR   |
| 48-18 | 030559 | SHIM     | 1.0MM 4 CYLINDER         | AR   |
| 49-1  | 030193 | GASKET   | INJECTOR 35B             | 3    |
| 49-2  | 030193 | GASKET   | INJECTOR 38B,42B         | 4    |
| 50-1  | 030538 | INJECTOR | FUEL 35B                 | 3    |
| 50-2  | 030538 | INJECTOR | FUEL 38B,42B             | 4    |
| 51-1  | 013619 | CAPSCREW | M 8 X 30 DIN 931 35B     | 6    |
| 51-2  | 013619 | CAPSCREW | M 8 X 30 DIN 931 38B,42B | 8    |
| 52-1  | 030289 | WASHER   | BANJO M 8 35B            | 6    |
| 52-2  | 030289 | WASHER   | BANJO M 8 38B,42B        | 8    |
| 53-1  | 016988 | BOLT     | BANJO M 8 35B            | 3    |
| 53-2  | 016988 | BOLT     | BANJO M 8 38B,42B        | 4    |
| 54    | 033093 | KIT      | FUEL HARDWARE            | 1    |

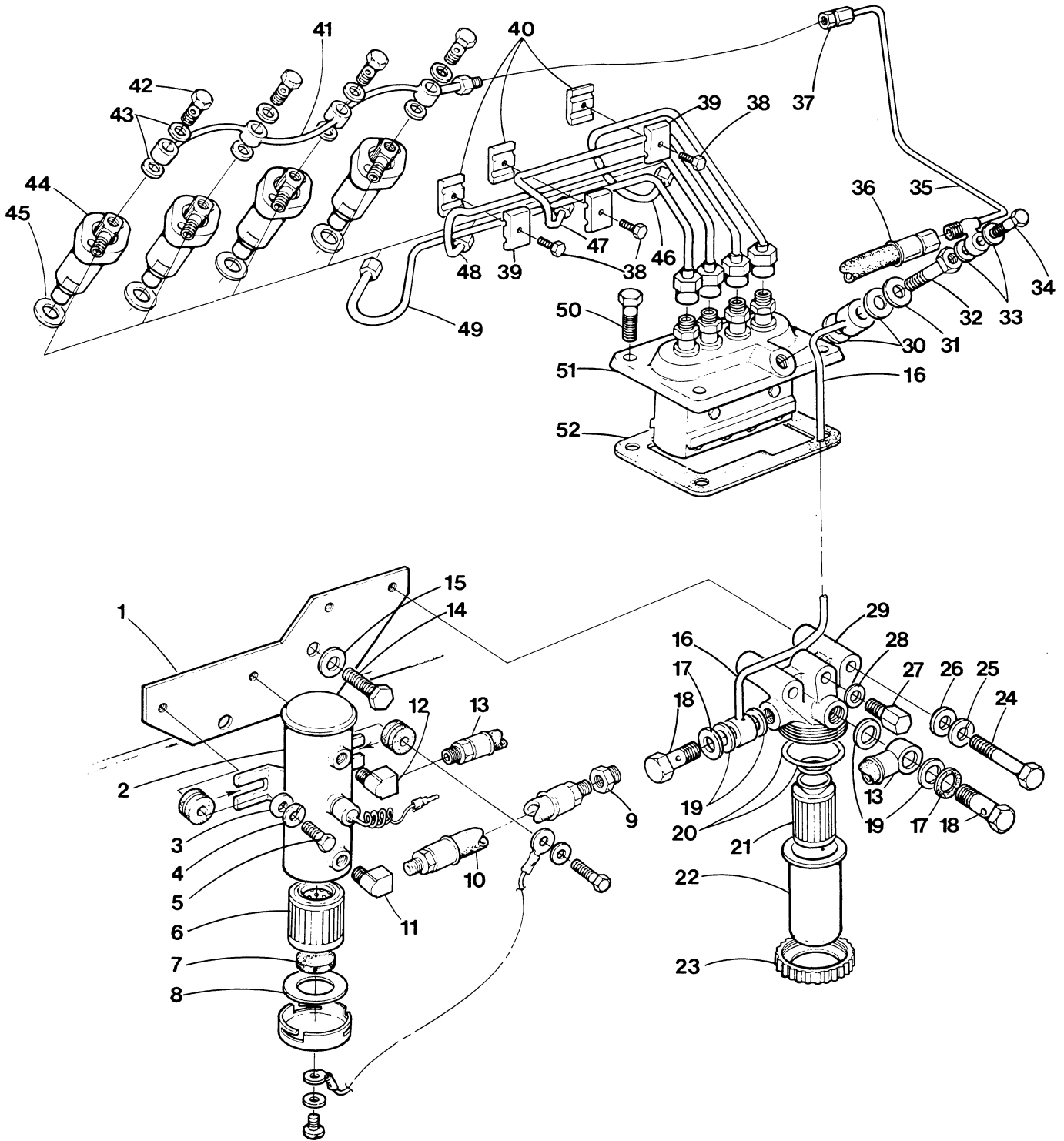
10.0 BTD - 11.0 BTD - 12.5 BTDA - FUEL SYSTEM



## 10.0 BTD - 11.0 BTD - 12.5 BTDA - FUEL SYSTEM

| REF  | PN     | NAME       | REMARKS                             | QUAN |
|------|--------|------------|-------------------------------------|------|
| 1    | 034235 | BRACKET    | LIFT PUMP & FILTER                  | 1    |
| 2    | 024831 | PUMP       | FUEL LIFT WITH FILTER 12VDC         | 1    |
| 3    | 031753 | WASHER     | FLAT 1/4                            | 2    |
| 4    | 031752 | LOCKWASHER | 1/4                                 | 2    |
| 5    | 031506 | CAPSCREW   | 1/4NC X 1-1/4                       | 2    |
| 6    | 030548 | FILTER     | LIFT PUMP INCL GASKET               | 1    |
| 7    | 033792 | MAGNET     | LIFT PUMP COVER                     | 1    |
| 8    |        | GASKET     | LIFT PUMP SEE REF 6                 | 1    |
| 9    | 015289 | ADAPTER    | INCLUDED WITH HOSE                  | 1    |
| 10   | 030025 | HOSE       | FUEL SUPPLY 1/8NPT                  | 1    |
| 11   | 013340 | ELBOW      | 1/8NPT STREET                       | 1    |
| 12   | 022513 | ELBOW      | 1/8NPT TO HOSE                      | 1    |
| 13   | 034614 | HOSE       | LIFT PUMP TO FILTER INCL REF 12     | 1    |
| 14   | 024959 | CAPSCREW   | M12 X 1.25 X 25 DIN 961             | 2    |
| 15   | 031792 | LOCKWASHER | M12 DIN 127                         | 2    |
| 16-1 | 034420 | LINE       | FILTER TO INJECTION PUMP 3 CYLINDER | 1    |
| 16-2 | 036471 | LINE       | FILTER TO INJECTION PUMP 4 CYLINDER | 1    |
| 17   | 024972 | WASHER     | M14 ALUMINUM                        | 2    |
| 18   | 024984 | BOLT       | BANJO                               | 2    |
| 19   | 030291 | WASHER     | BANJO M14                           | 4    |
| 20   | 032406 | KIT        | O-RING                              | 1    |
| 21   | 030200 | ELEMENT    | FUEL FILTER INCLUDING O-RINGS       | 1    |
| 22   | 030199 | CUP        | FUEL FILTER                         | 1    |
| 23   | 030212 | RETAINER   | FUEL FILTER CUP                     | 1    |
| 24   | 031560 | CAPSCREW   | 5/16NC X 2-1/4                      | 2    |
| 25   | 031758 | LOCKWASHER | 5/16                                | 2    |
| 26   | 031759 | WASHER     | FLAT 5/16                           | 2    |
| 27   | 030213 | SCREW      | FUEL FILTER BLEED                   | 1    |
| 28   | 030289 | WASHER     | FUEL FILTER BLEED SCREW             | 1    |
| 29-1 | 030210 | FILTER     | FUEL                                | 1    |
| 29-2 | 030211 | HEAD       | FUEL FILTER                         | 1    |
| 30   | 030291 | WASHER     | BANJO M14                           | 2    |
| 31   | 024972 | WASHER     | M14 ALUMINUM                        | 1    |
| 32-1 | 024916 | BOLT       | BANJO 3 CYLINDER                    | 1    |
| 32-2 | 024915 | BOLT       | BANJO 4 CYLINDER                    | 1    |
| 33   | 030289 | WASHER     | BANJO M 8                           | 2    |
| 34   | 016988 | BOLT       | BANJO M 8                           | 1    |
| 35   | 034610 | LINE       | INJECTOR LEAK-OFF TO PUMP           | 1    |
| 36   | 034857 | HOSE       | FUEL RETURN                         | 1    |
| 37-1 | 024600 | UNION      | COMPRESSION INCL NUTS & FERRULES    | 1    |
| 37-2 | 013343 | FERRULE    |                                     | 2    |
| 37-3 | 013344 | NUT        | COMPRESSION                         | 2    |

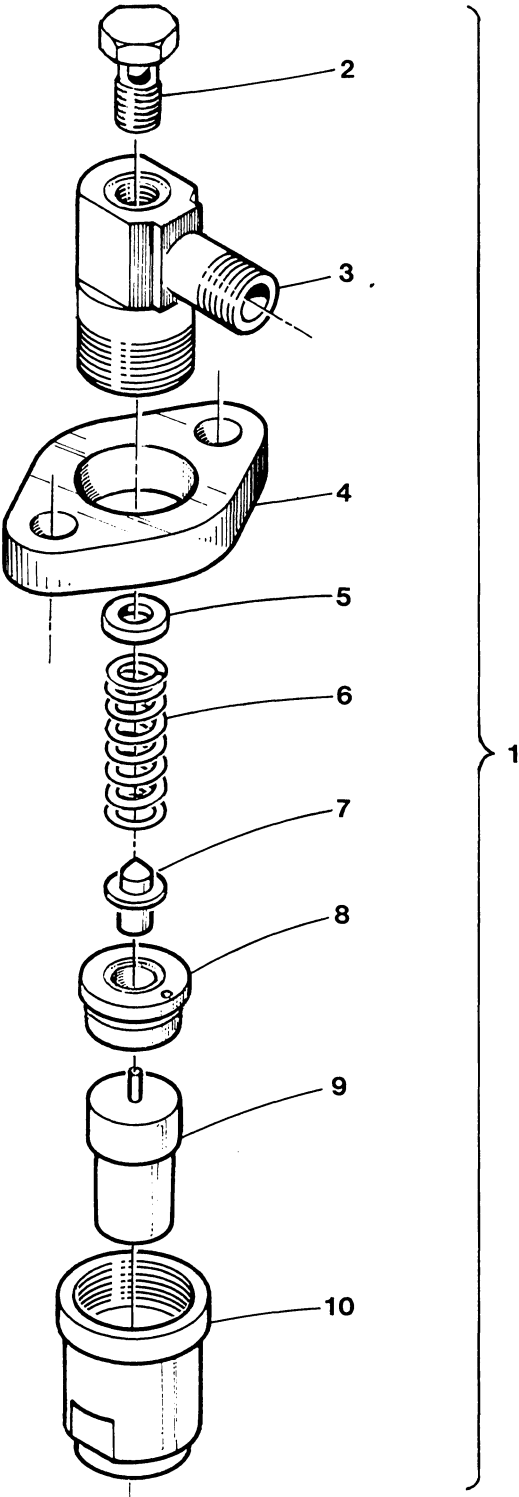
10.0 BTD - 11.0 BTD - 12.5 BTDA - FUEL SYSTEM



## 10.0 BTD - 11.0 BTD - 12.5 BTDA - FUEL SYSTEM

| REF   | PN     | NAME     | REMARKS                      | QUAN |
|-------|--------|----------|------------------------------|------|
| 38    | 020628 | CAPSCREW | M 6 X 25 DIN 933             | 2    |
| 39    | 030315 | CLAMP    | FUEL LINE                    | 2    |
| 40    | 030316 | CLAMP    | FUEL LINE                    | 2    |
| 41-1  | 030569 | LINE     | INJECTOR LEAK-OFF 3 CYLINDER | 1    |
| 41-2  | 030570 | LINE     | INJECTOR LEAK-OFF 4 CYLINDER | 1    |
| 42-1  | 016988 | BOLT     | BANJO M 8 3 CYLINDER         | 3    |
| 42-2  | 016988 | BOLT     | BANJO M 8 4 CYLINDER         | 4    |
| 43-1  | 030289 | WASHER   | BANJO M 8 3 CYLINDER         | 6    |
| 43-2  | 030289 | WASHER   | BANJO M 8 4 CYLINDER         | 8    |
| 44-1  | 030538 | INJECTOR | FUEL 3 CYLINDER              | 3    |
| 44-2  | 030538 | INJECTOR | FUEL 4 CYLINDER              | 4    |
| 45-1  | 030193 | GASKET   | INJECTOR 3 CYLINDER          | 3    |
| 45-2  | 030193 | GASKET   | INJECTOR 4 CYLINDER          | 4    |
| 46    | 037663 | LINE     | INJECTOR 1                   | 1    |
| 47    | 037664 | LINE     | INJECTOR 2                   | 1    |
| 48    | 037665 | LINE     | INJECTOR 3                   | 1    |
| 49    | 037666 | LINE     | INJECTOR 4 11 BTD, 12.5 BTDA | 1    |
| 50-1  | 017196 | CAPSCREW | M 8 X 20 DIN 933 3 CYLINDER  | 4    |
| 50-2  | 017196 | CAPSCREW | M 8 X 20 DIN 933 4 CYLINDER  | 6    |
| 51-1  | 037697 | PUMP     | FUEL INJECTION 10 BTD        | 1    |
| 51-2  | 037689 | PUMP     | FUEL INJECTION 11 BTD        | 1    |
| 51-3  | 037695 | PUMP     | FUEL INJECTION 12.5 BTDA     | 1    |
| 52- 1 | 030560 | SHIM     | 0.2MM 3 CYLINDER             | AR   |
| 52- 2 | 030561 | SHIM     | 0.3MM 3 CYLINDER             | AR   |
| 52- 3 | 030562 | SHIM     | 0.4MM 3 CYLINDER             | AR   |
| 52- 4 | 030563 | SHIM     | 0.5MM 3 CYLINDER             | AR   |
| 52- 5 | 030564 | SHIM     | 0.6MM 3 CYLINDER             | AR   |
| 52- 6 | 030565 | SHIM     | 0.7MM 3 CYLINDER             | AR   |
| 52- 7 | 030566 | SHIM     | 0.8MM 3 CYLINDER             | AR   |
| 52- 8 | 030567 | SHIM     | 0.9MM 3 CYLINDER             | AR   |
| 52- 9 | 030568 | SHIM     | 1.0MM 3 CYLINDER             | AR   |
| 52-10 | 030551 | SHIM     | 0.2MM 4 CYLINDER             | AR   |
| 52-11 | 030552 | SHIM     | 0.3MM 4 CYLINDER             | AR   |
| 52-12 | 030553 | SHIM     | 0.4MM 4 CYLINDER             | AR   |
| 52-13 | 030554 | SHIM     | 0.5MM 4 CYLINDER             | AR   |
| 52-14 | 030555 | SHIM     | 0.6MM 4 CYLINDER             | AR   |
| 52-15 | 030556 | SHIM     | 0.7MM 4 CYLINDER             | AR   |
| 52-16 | 030557 | SHIM     | 0.8MM 4 CYLINDER             | AR   |
| 52-17 | 030558 | SHIM     | 0.9MM 4 CYLINDER             | AR   |
| 52-18 | 030559 | SHIM     | 1.0MM 4 CYLINDER             | AR   |
| 53    | 033093 | KIT      | FUEL HARDWARE                | 1    |

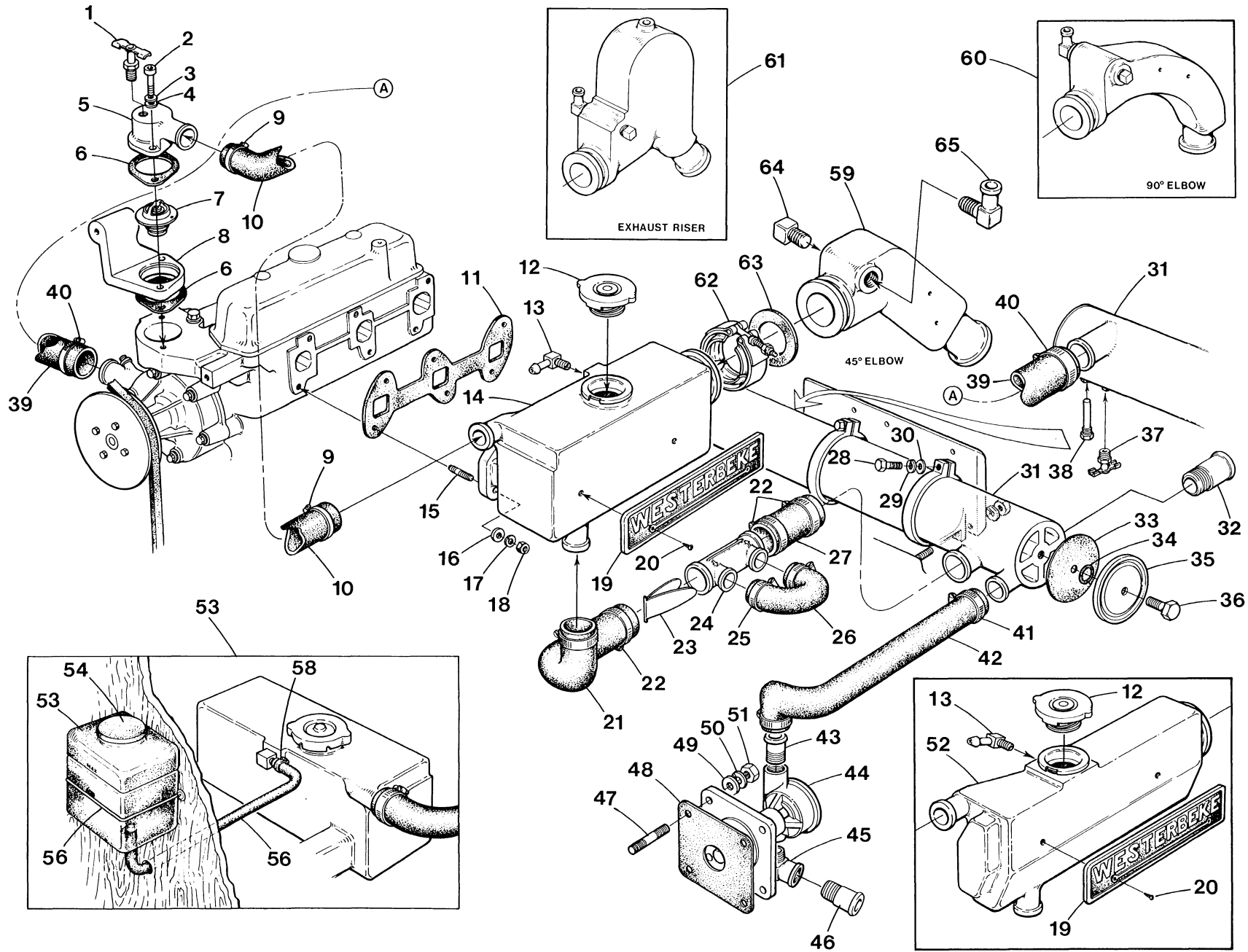
35B - 38B - 42B - 10.0 BTD - 11.0 BTD - 12.5 BTDA - FUEL INJECTOR



## 35B - 38B - 42B - 10.0 BTD - 11.0 BTD - 12.5 BTDA - FUEL INJECTOR

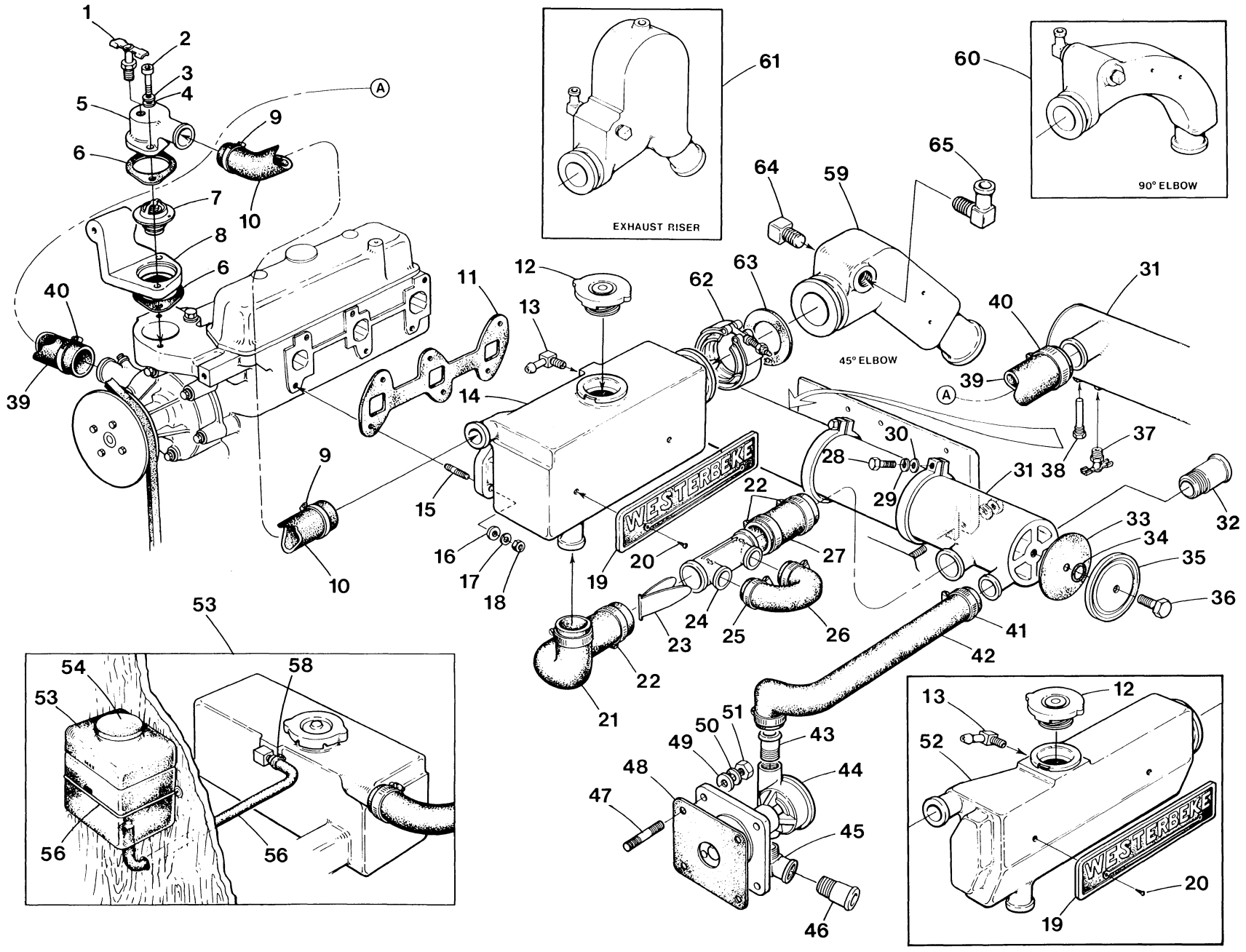
| REF | PN     | NAME     | REMARKS   | QUAN |
|-----|--------|----------|-----------|------|
| 1   | 030538 | INJECTOR | ASSEMBLY  | 1    |
| 2   | 016988 | BOLT     | BANJO M 8 | 1    |
| 3   | 030684 | BODY     |           | 1    |
| 4   | 030629 | FLANGE   |           | 1    |
| 5-1 | 030621 | SHIM     | 1.30MM    | AR   |
| 5-2 | 030622 | SHIM     | 1.35MM    | AR   |
| 5-3 | 030623 | SHIM     | 1.40MM    | AR   |
| 5-4 | 030624 | SHIM     | 0.90MM    | AR   |
| 5-5 | 030625 | SHIM     | 1.00MM    | AR   |
| 5-6 | 030626 | SHIM     | 1.10MM    | AR   |
| 5-7 | 030627 | SHIM     | 1.20MM    | AR   |
| 5-8 | 030628 | SHIM     | 0.10MM    | AR   |
| 6   | 030598 | SPRING   | PRESSURE  | 1    |
| 7   | 030597 | PIN      | PRESSURE  | 1    |
| 8   | 030599 | SPACER   |           | 1    |
| 9   | 030297 | NOZZLE   | ASSEMBLY  | 1    |
| 10  | 030630 | NUT      | RETAINING | 1    |





35B - 38B - 42B - COOLING SYSTEM

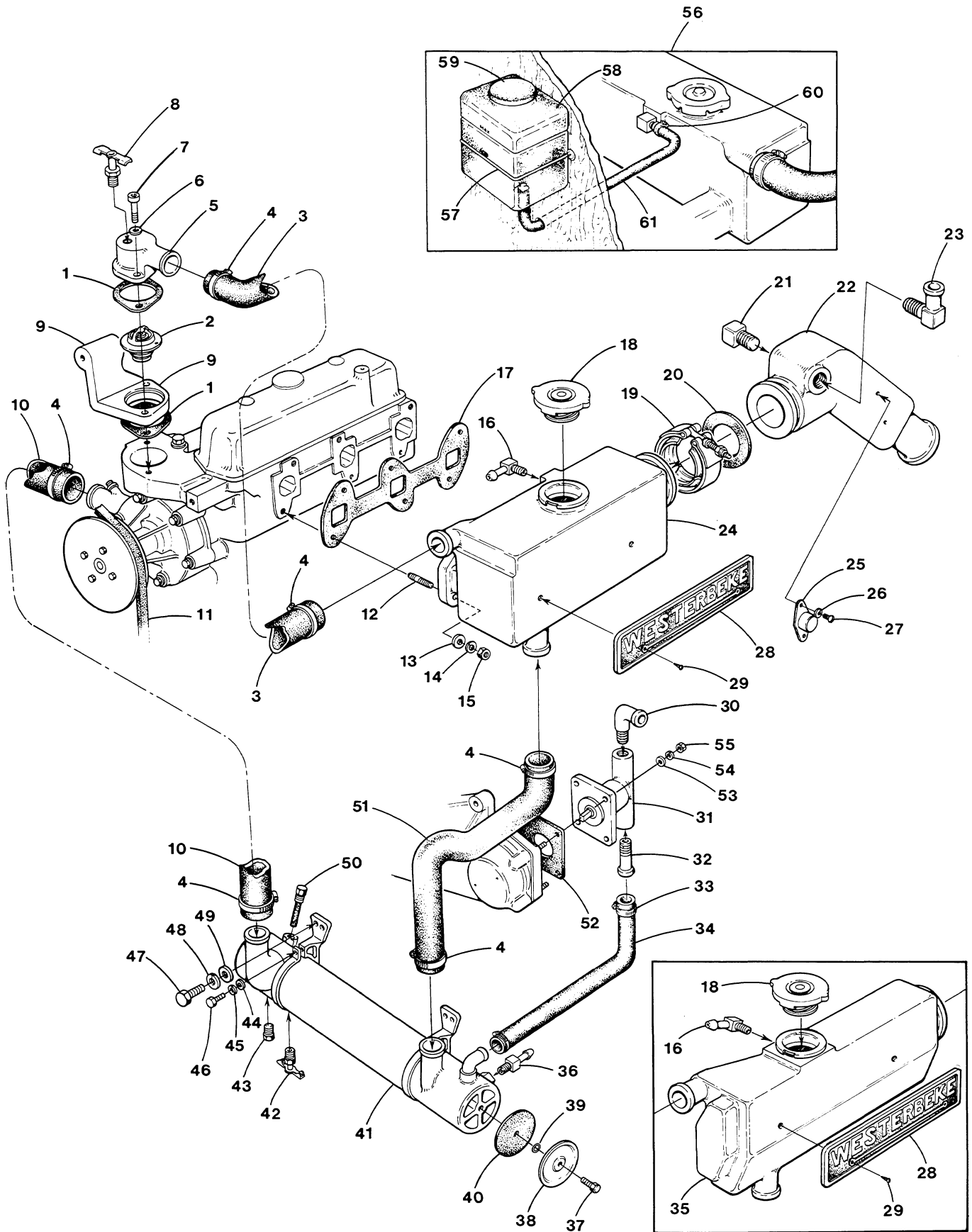
| REF  | PN     | NAME       | REMARKS                                  | QUAN |
|------|--------|------------|--|------|
| 1    | 011471 | PETCOCK    |  | 1    |
| 2    | 031529 | CAPSCREW   | M 8 X 45 DIN 912                         | 2    |
| 3    | 031786 | LOCKWASHER | M 8 DIN 127                              | 2    |
| 4    | 031787 | WASHER     | M 8 DIN 125                              | 2    |
| 5    | 034416 | HOUSING    | THERMOSTAT                               | 1    |
| 6    | 034196 | GASKET     | THERMOSTAT                               | 2    |
| 7    | 024688 | THERMOSTAT |  | 1    |
| 8    | 033926 | BRACKET    | ALTERNATOR                               | 1    |
| 9    | 021878 | CLAMP      | HOSE 20                                  | 2    |
| 10   | 024334 | HOSE       | THERMOSTAT TO MANIFOLD                   | 1    |
| 11-1 | 034246 | GASKET     | EXHAUST MANIFOLD TO HEAD 3 CYLINDER      | 1    |
| 11-2 | 034657 | GASKET     | EXHAUST MANIFOLD TO HEAD 4 CYLINDER      | 1    |
| 12   | 024306 | CAP        | PRESSURE                                 | 1    |
| 13   | 024907 | ELBOW      | MANIFOLD TO RECOVERY TANK HOSE           | 1    |
| 14   | 037296 | MANIFOLD   | EXHAUST 35B                              | 1    |
| 15-1 | 015830 | STUD       | M 8 X 25 DIN 939 3 CYLINDER              | 6    |
| 15-2 | 015830 | STUD       | M 8 X 25 DIN 939 4 CYLINDER              | 8    |
| 16-1 | 031787 | WASHER     | M 8 DIN 125 3 CYLINDER                   | 6    |
| 16-2 | 031787 | WASHER     | M 8 DIN 125 4 CYLINDER                   | 8    |
| 17-1 | 031786 | LOCKWASHER | M 8 DIN 127 3 CYLINDER                   | 6    |
| 17-2 | 031786 | LOCKWASHER | M 8 DIN 127 4 CYLINDER                   | 8    |
| 18-1 | 018242 | NUT        | M 8 DIN 934 3 CYLINDER                   | 6    |
| 18-2 | 018242 | NUT        | M 8 DIN 934 4 CYLINDER                   | 8    |
| 19   | 035411 | NAMEPLATE  |  | 1    |
| 20   | 031935 | SCREW      | 8-32 X 1/4 OVAL HEAD SS                  | 2    |
| 21   | 024304 | HOSE       | MANIFOLD TO FLOWCONTROL                  | 1    |
| 22   | 021878 | CLAMP      | HOSE 20                                  | 4    |
| 23   | 030165 | SPRING     | FLOWCONTROL                              | 1    |
| 24   | 037152 | HOUSING    | FLOWCONTROL                              | 1    |
| 25   | 011386 | CLAMP      | HOSE 12                                  | 2    |
| 26   | 036654 | RETURNBEND | HOSE 3/4 ID - WHEN HEATER NOT INSTALLED  | 1    |
| 27-1 | 024974 | HOSE       | 1-3/8 WIRE INSERTED-35B INCHES REQUIRED  | 3    |
| 27-2 | 024974 | HOSE       | 1-3/8 WIRE INSERTED-38B,42B INCHES REQD  | 8    |
| 28   | 031506 | CAPSCREW   | 1/4NC X 1-1/4                            | 2    |
| 29   | 031752 | LOCKWASHER | 1/4                                      | 2    |
| 30   | 031753 | WASHER     | FLAT 1/4                                 | 2    |
| 31   | 036899 | EXCHANGER  | HEAT                                     | 1    |
| 32   | 036622 | NIPPLE     | 3/4NPT TO 1" HOSE                        | 1    |
| 33   | 022851 | GASKET     | EXCHANGER END COVER                      | 2    |
| 34   | 019321 | O-RING     | EXCHANGER END COVER                      | 2    |
| 35   | 022850 | COVER      | EXCHANGER END                            | 2    |
| 36   | 022852 | CAPSCREW   | 3/8NC X 1/2 BRASS                        | 2    |
| 37   | 011471 | PETCOCK    |  | 1    |
| 38   | 011885 | ZINC       |  | 1    |
| 39-1 | 034404 | HOSE       | EXCHANGER TO FRESH WATER PUMP 3 CYLINDER | 1    |
| 39-2 | 034684 | HOSE       | EXCHANGER TO FRESH WATER PUMP 4 CYLINDER | 1    |
| 40   | 021878 | CLAMP      | HOSE 20                                  | 2    |



## 35B - 38B - 42B - COOLING SYSTEM

| REF  | PN     | NAME       | REMARKS                                | QUAN |
|------|--------|------------|--|------|
| 41   | 011386 | CLAMP      | HOSE 12                                | 2    |
| 42   | 030166 | HOSE       | SEA WATER PUMP TO EXCHANGER            | 1    |
| 43-1 | 034712 | NIPPLE     | 3/8NPT TO 7/8" HOSE 3 CYLINDER         | 1    |
| 43-2 | 034710 | ELBOW      | 3/8NPT TO 7/8" HOSE 4 CYLINDER         | 1    |
| 44   | 033636 | PUMP       | SEA WATER                              | 1    |
| 45   | 036620 | NIPPLE     | 3/8NPT TO 1" HOSE                      | 1    |
| 46   | 013337 | ELBOW      | 3/8NPT 45 STREET                       | 1    |
| 47   | 015828 | STUD       | M 8 X 22 DIN 939                       | 4    |
| 48   | 030326 | GASKET     | SEA WATER PUMP TO TIMING CASE          | 1    |
| 49   | 031787 | WASHER     | M 8 DIN 125                            | 4    |
| 50   | 031786 | LOCKWASHER | M 8 DIN 127                            | 4    |
| 51   | 018242 | NUT        | M 8 DIN 934                            | 4    |
| 52   | 037308 | MANIFOLD   | EXHAUST 4 CYLINDER                     | 1    |
| 53   | 024777 | KIT        | COOLANT RECOVERY TANK                  | 1    |
| 54   | 024858 | CAP        | COOLANT RECOVERY TANK                  | 1    |
| 55   | 024704 | TANK       | COOLANT RECOVERY                       | 1    |
| 56   | 024786 | STRAP      | COOLANT RECOVERY TANK                  | 1    |
| 57   | 024637 | TUBING     | MANIFOLD TO TANK-INCHES REQUIRED       | 60   |
| 58   | 024906 | CLAMP      | HOSE                                   | 2    |
| 59   | 037402 | ELBOW KIT  | 45 DEGREE INCL REF 62 THRU 65          | 1    |
| 60   | 037401 | ELBOW KIT  | 90 DEGREE INCLUDING REF 62 THRU 65     | 1    |
| 61   | 037403 | RISER KIT  | EXHAUST INCLUDING REF 62 THRU 65       | 1    |
| 62   | 036541 | CLAMP      | EXHAUST ELBOW TO MANIFOLD              | 1    |
| 63   | 036425 | GASKET     | EXHAUST ELBOW TO MANIFOLD              | 1    |
| 64-1 | 035747 | PLUG       | 1/2NPT 45 DEGREE ELBOW                 | 1    |
| 64-2 | 036849 | PLUG       | 3/4NPT 90 DEGREE ELBOW & RISER         | 1    |
| 65-1 | 036616 | ELBOW      | 1/2NPT TO 1" HOSE 45 DEGREE ELBOW      | 1    |
| 65-2 | 036614 | ELBOW      | 3/4NPT TO 1" HOSE 90 DEG ELBOW & RISER | 1    |

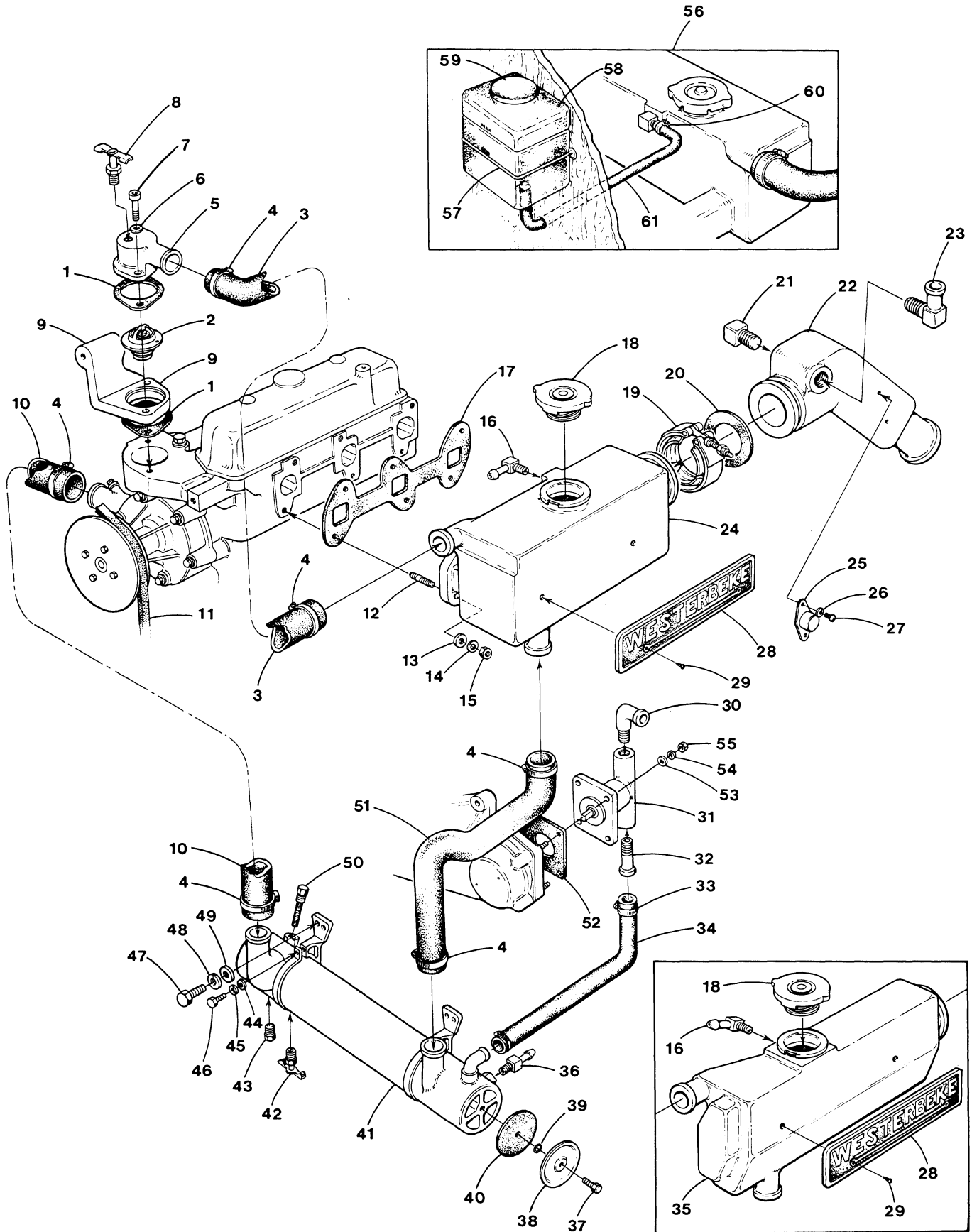
10.0 BTD - 11.0 BTD - 12.5 BTDA - COOLING SYSTEM



10.0 BTD - 11.0 BTD - 12.5 BTDA - COOLING SYSTEM

| REF  | PN     | NAME       | REMARKS                             | QUAN |
|------|--------|------------|-------------------------------------|------|
| 1    | 034196 | GASKET     | THERMOSTAT HOUSING                  | 2    |
| 2    | 024688 | THERMOSTAT |                                     | 1    |
| 3    | 024334 | HOSE       | THERMOSTAT TO MANIFOLD              | 1    |
| 4    | 021878 | CLAMP      | HOSE 20                             | 6    |
| 5    | 034416 | HOUSING    | THERMOSTAT                          | 1    |
| 6-1  | 031787 | WASHER     | M 8 DIN 125                         | 2    |
| 6-2  | 031786 | LOCKWASHER | M 8 DIN 127                         | 2    |
| 7    | 031259 | CAPSCREW   | M 8 X 45 DIN 912                    | 2    |
| 8    | 011471 | PETCOCK    |                                     | 1    |
| 9    | 033926 | BRACKET    | ALTERNATOR                          | 1    |
| 10   | 034228 | HOSE       | EXCHANGER TO FRESH WATER PUMP       | 1    |
| 11   | 030475 | BELT       |                                     | 1    |
| 12-1 | 015830 | STUD       | M 8 X 25 DIN 939 3 CYLINDER         | 6    |
| 12-2 | 015830 | STUD       | M 8 X 25 DIN 939 4 CYLINDER         | 8    |
| 13-1 | 031787 | WASHER     | M 8 DIN 125 3 CYLINDER              | 6    |
| 13-2 | 031787 | WASHER     | M 8 DIN 125 4 CYLINDER              | 8    |
| 14-1 | 031786 | LOCKWASHER | M 8 DIN 127 3 CYLINDER              | 6    |
| 14-2 | 031786 | LOCKWASHER | M 8 DIN 127 4 CYLINDER              | 8    |
| 15-1 | 018242 | NUT        | M 8 DIN 934 3 CYLINDER              | 6    |
| 15-2 | 018242 | NUT        | M 8 DIN 934 4 CYLINDER              | 8    |
| 16   | 024907 | ELBOW      | MANIFOLD TO RECOVERY TANK HOSE      | 1    |
| 17-1 | 034246 | GASKET     | EXHAUST MANIFOLD TO HEAD 3 CYLINDER | 1    |
| 17-2 | 034657 | GASKET     | EXHAUST MANIFOLD TO HEAD 4 CYLINDER | 1    |
| 18   | 024306 | CAP        | PRESSURE                            | 1    |
| 19   | 036541 | CLAMP      | EXHAUST ELBOW TO MANIFOLD           | 1    |
| 20   | 036425 | GASKET     | EXHAUST ELBOW TO MANIFOLD           | 1    |
| 21   | 035747 | PLUG       | 1/2NPT                              | 1    |
| 22   | 034702 | ELBOW KIT  | 45 DEGREE INCL REF 19 THRU 23       | 1    |
| 23   | 033616 | ELBOW      | 1/2NPT TO 1" HOSE                   | 1    |
| 24   | 037296 | MANIFOLD   | EXHAUST 3 CYLINDER                  | 1    |
| 25   | 032923 | SWITCH     | EXHAUST TEMPERATURE                 | 1    |
| 26   | 031840 | LOCKWASHER | 6 INTERNAL TOOTH                    | 2    |
| 27   | 035711 | SCREW      | 6-20 X 1/4 TAPPING                  | 2    |
| 28   | 035411 | NAMEPLATE  |                                     | 1    |
| 29   | 031935 | SCREW      | 8-32 X 1/4 OVAL HEAD SS             | 2    |
| 30   | 036612 | ELBOW      | 3/8NPT TO 1" HOSE                   | 1    |
| 31   | 033636 | PUMP       | SEA WATER                           | 1    |
| 32   | 034712 | NIPPLE     | 3/8NPT TO 7/8 HOSE                  | 1    |
| 33   | 011386 | CLAMP      | HOSE 12                             | 2    |
| 34   | 038059 | HOSE       | SEA WATER PUMP TO EXCHANGER         | 1    |
| 35   | 037308 | MANIFOLD   | EXHAUST 4 CYLINDER                  | 1    |
| 36   | 036622 | NIPPLE     | 3/4NPT TO 1" HOSE                   | 1    |
| 37   | 022852 | CAPSCREW   | 3/8NC X 1/2 BRASS                   | 2    |
| 38   | 022850 | COVER      | EXCHANGER END                       | 2    |
| 39   | 019321 | O-RING     | EXCHANGER END COVER                 | 2    |
| 40   | 022851 | GASKET     | EXCHANGER END COVER                 | 2    |

10.0 BTD - 11.0 BTD - 12.5 BTDA - COOLING SYSTEM



10.0 BTD - 11.0 BTD - 12.5 BTDA - COOLING SYSTEM

| REF  | PN     | NAME       | REMARKS                               | QUAN |
|------|--------|------------|---------------------------------------|------|
| 41   | 036903 | EXCHANGER  | HEAT                                  | 1    |
| 42   | 011471 | PETCOCK    |                                       | 1    |
| 43   | 019369 | PLUG       | 1/8NPT BRASS                          | 1    |
| 44   | 031753 | WASHER     | FLAT 1/4                              | 2    |
| 45   | 031752 | LOCKWASHER | 1/4                                   | 2    |
| 46   | 031506 | CAPSCREW   | 1/4NC X 1-1/4                         | 2    |
| 47   | 031223 | CAPSCREW   | M14 X 1.5 X 30 DIN 961                | 2    |
| 48   | 031797 | LOCKWASHER | M14 DIN 127                           | 2    |
| 49   | 031798 | WASHER     | M14 DIN 125                           | 2    |
| 50   | 011885 | ZINC       |                                       | 1    |
| 51-1 | 034203 | HOSE       | MANIFOLD TO EXCHANGER 3 CYLINDER      | 1    |
| 51-2 | 037536 | HOSE       | MANIFOLD TO EXCHANGER 4 CYLINDER      | 1    |
| 52   | 030326 | GASKET     | SEA WATER PUMP TO TIMING CASE         | 1    |
| 53   | 031787 | WASHER     | M 8 DIN 125                           | 4    |
| 54   | 031786 | LOCKWASHER | M 8 DIN 127                           | 4    |
| 55   | 018242 | NUT        | M 8 DIN 934                           | 4    |
| 56   | 024977 | KIT        | COOLANT RECOVERY TANK                 | 1    |
| 57   | 024786 | STRAP      | COOLANT RECOVERY TANK                 | 1    |
| 58   | 024704 | TANK       | COOLANT RECOVERY                      | 1    |
| 59   | 024858 | CAP        | COOLANT RECOVERY TANK                 | 1    |
| 60   | 024906 | CLAMP      | HOSE                                  | 2    |
| 61   | 024637 | TUBING     | MANIFOLD TO RECOVERY TANK-INCHES REQD | 60   |

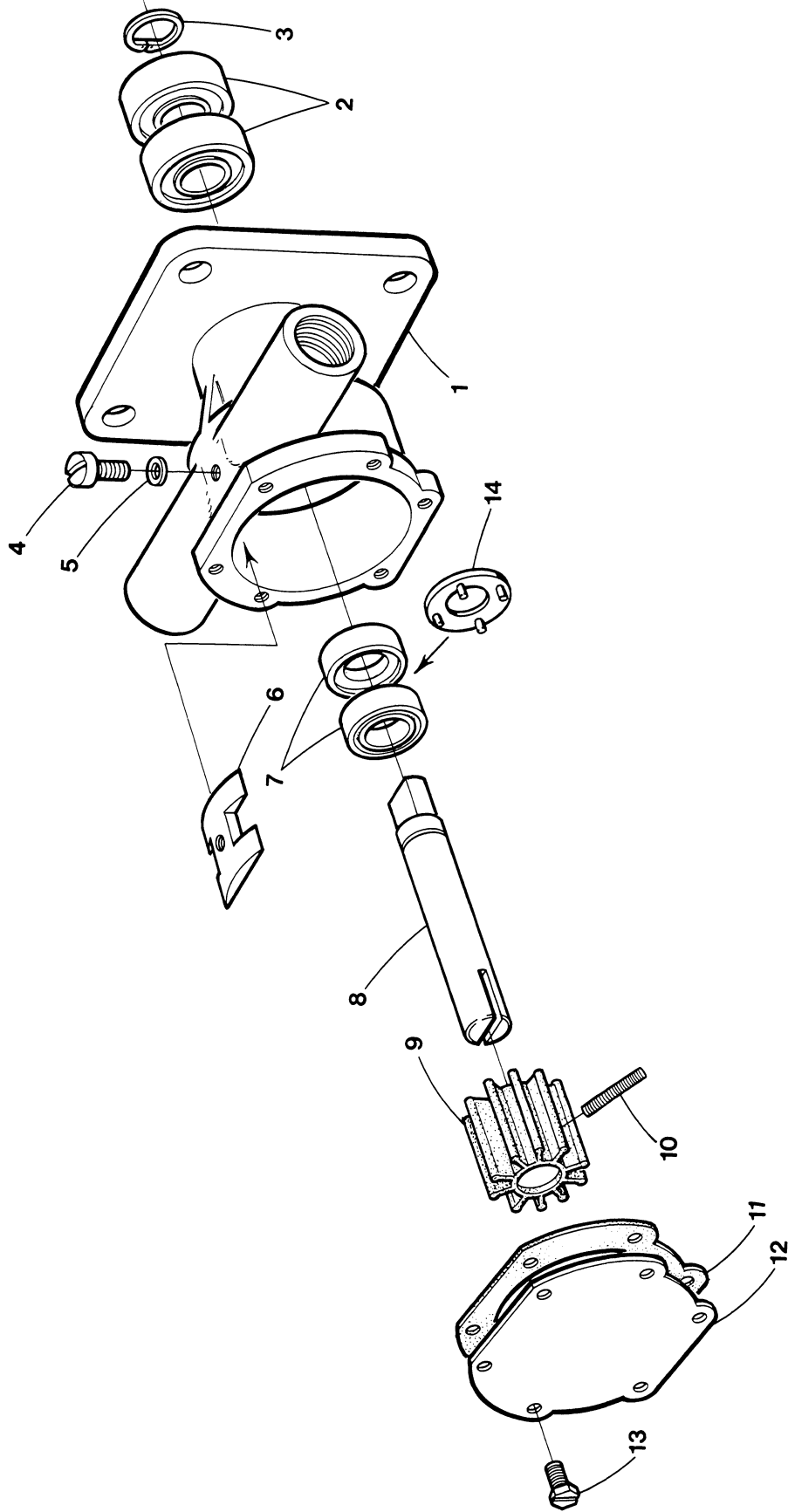




35B - 38B - 42B - 10.0 BTD - 11.0 BTD - 12.5 BTDA - FRESH WATER PUMP

| REF  | PN     | NAME       | REMARKS             | QUAN |
|------|--------|------------|---------------------|------|
| 1    | 030474 | GASKET     | WATER PUMP TO BLOCK | 1    |
| 2    | 030591 | PUMP       | FRESH WATER         | 1    |
| 3    | 030710 | PLUG       | 3/8                 | 1    |
| 4    | 031784 | WASHER     | M 6 DIN 125         | 2    |
| 5    | 031783 | LOCKWASHER | M 6 DIN 127         | 2    |
| 6    | 013590 | CAPSCREW   | M 6 X 30 DIN 933    | 2    |
| 7    | 031787 | WASHER     | M 8 DIN 125         | 4    |
| 8    | 031786 | LOCKWASHER | M 8 DIN 127         | 4    |
| 9    | 031225 | CAPSCREW   | M 8 X 60 DIN 931    | 1    |
| 10   | 024948 | CAPSCREW   | M 8 X 45 DIN 931    | 3    |
| 11   | 030475 | BELT       |                     | 1    |
| 12-1 | 031783 | LOCKWASHER | M 6 DIN 127         | 4    |
| 12-2 | 031784 | WASHER     | M 6 DIN 125         | 4    |
| 13   | 017012 | CAPSCREW   | M 6 X 16 DIN 933    | 4    |
| 14   | 033922 | PULLEY     | FRESH WATER PUMP    | 1    |

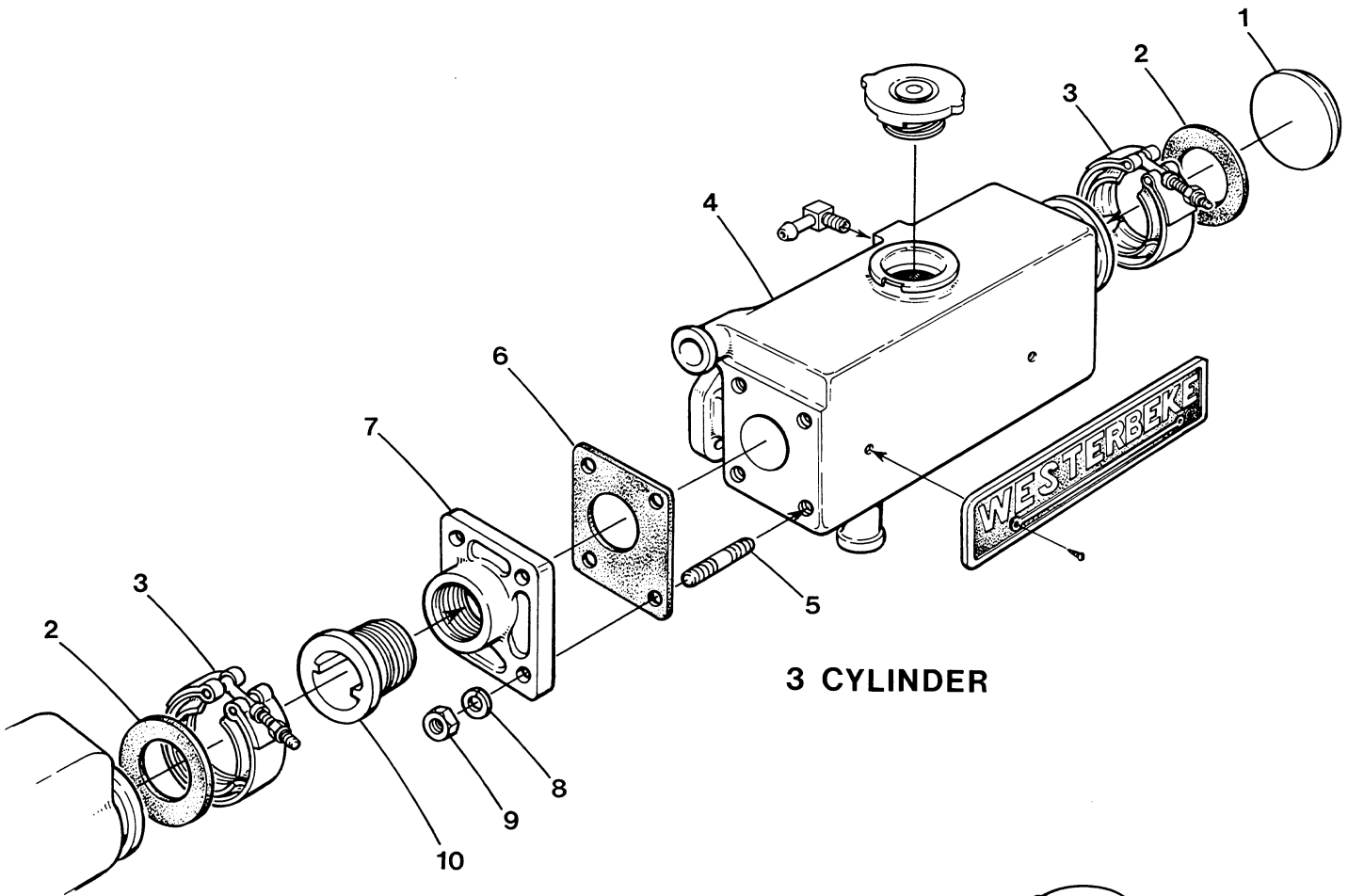
35B - 38B - 42B - 10.0 BTD - 11.0 BTD - 12.5 BTDA - SEA WATER PUMP



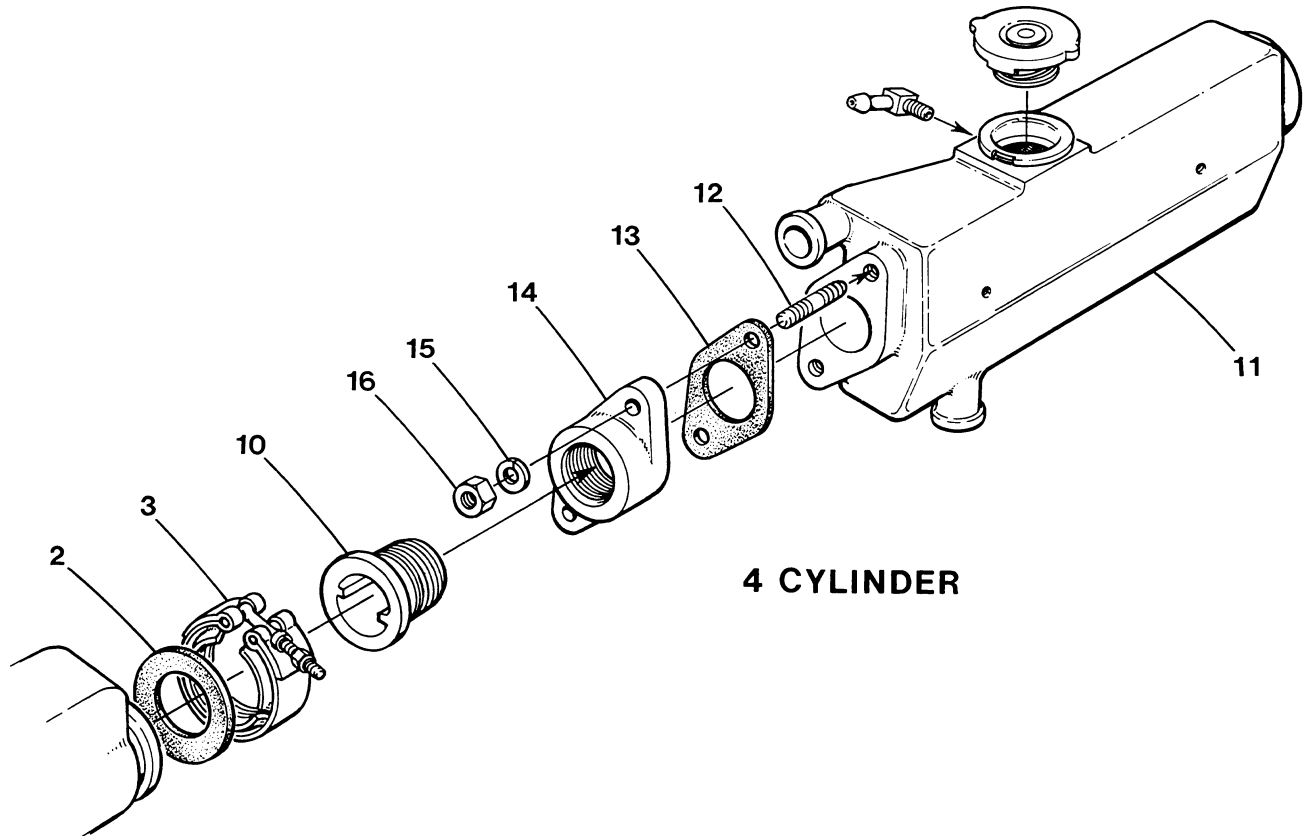
35B - 38B - 42B - 10.0 BTD - 11.0 BTD - 12.5 BTDA - SEA WATER PUMP

| REF | PN     | NAME    | REMARKS                    | QUAN |
|-----|--------|---------|----------------------------|------|
| 1-1 | 033636 | PUMP    | COMPLETE                   | 1    |
| 1-2 | 034457 | HOUSING | SEA WATER PUMP BODY        | 1    |
| 2   | 034464 | BEARING |                            | 2    |
| 3   | 033044 | RING    | RETAINING                  | 1    |
| 4   | 034462 | SCREW   | PUMP HOUSING TO CAM        | 1    |
| 5   | 033037 | WASHER  | CAM SCREW                  | 1    |
| 6   | 034458 | CAM     |                            | 1    |
| 7   | 033043 | SEAL    |                            | 2    |
| 8   | 034460 | SHAFT   |                            | 1    |
| 9   | 034440 | KIT     | IMPELLER-SCREW-GASKET      | 1    |
| 10  |        | SCREW   | IMPELLER INCLUDED IN REF 9 | 1    |
| 11  | 034459 | GASKET  | IMPELLER COVER             | 1    |
| 12  | 034461 | COVER   | IMPELLER                   | 1    |
| 13  | 034463 | SCREW   | IMPELLER COVER             | 6    |
| 14  | 038678 | SPACER  | SEAL                       | 1    |
| 15  | 034466 | KIT     | PUMP MAJOR REPAIR          | 1    |
| 16  | 030326 | GASKET  | SEA WATER PUMP MOUNT       | 1    |

35B - 38B - 42B - FRONT OPENING EXHAUST MANIFOLD



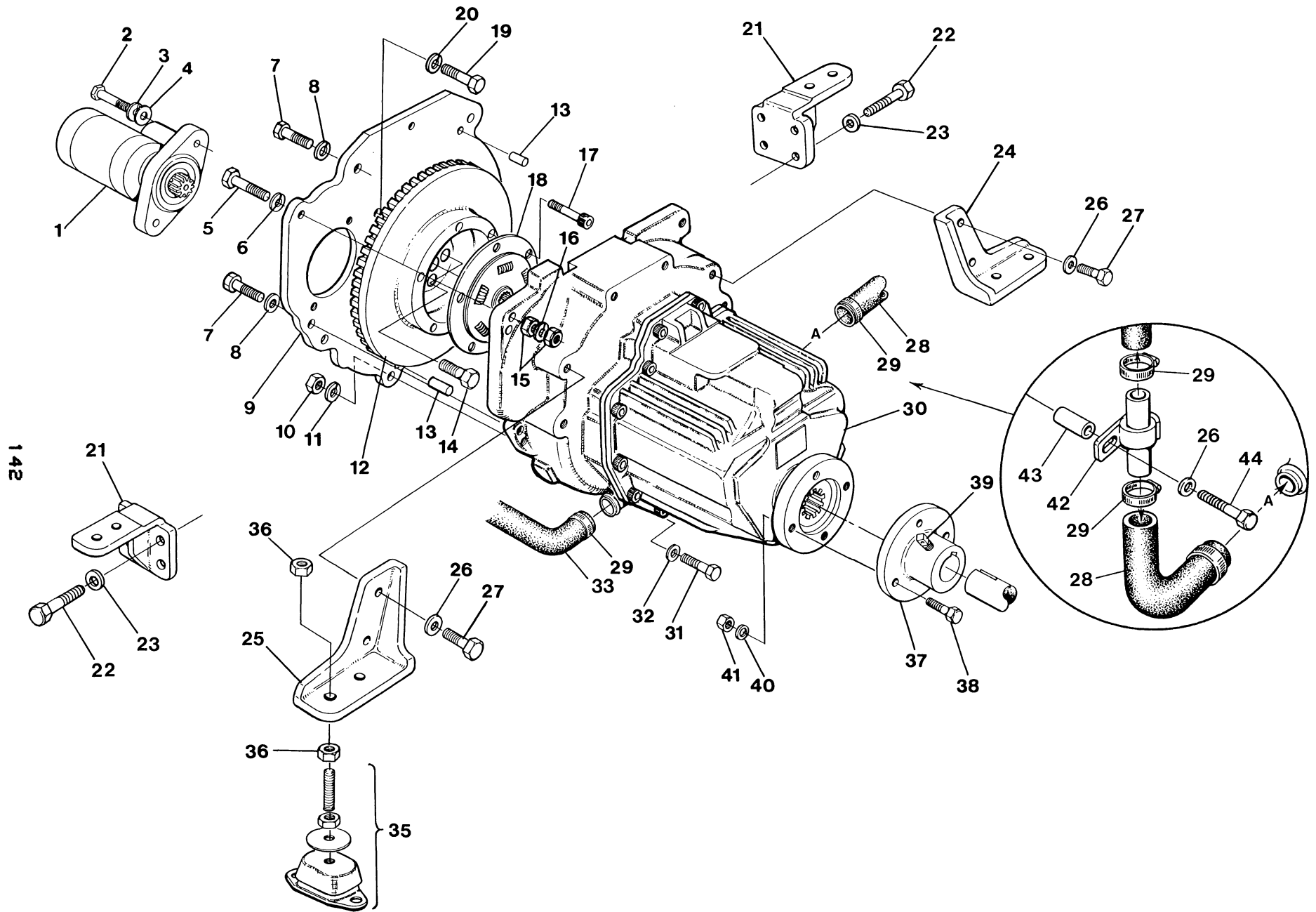
3 CYLINDER



4 CYLINDER

35B - 38B - 42B - FRONT OPENING EXHAUST MANIFOLD

| REF | PN     | NAME       | REMARKS                                  | QUAN |
|-----|--------|------------|--|------|
| 1   | 037206 | COVER      | MANIFOLD REAR EXHAUST OPENING 3 CYLINDER | 1    |
| 2-1 | 036425 | GASKET     | EXHAUST ELBOW AND REAR COVER 3 CYLINDER  | 2    |
| 2-2 | 036425 | GASKET     | EXHAUST ELBOW 4 CYLINDER                 | 1    |
| 3-1 | 036541 | CLAMP      | EXHAUST ELBOW AND COVER 3 CYLINDER       | 2    |
| 3-2 | 036541 | CLAMP      | EXHAUST ELBOW 4 CYLINDER                 | 1    |
| 4   | 038306 | MANIFOLD   | FRONT EXHAUST 3 CYLINDER                 | 1    |
| 5   | 011263 | STUD       | MANIFOLD TO FLANGE 3 CYLINDER            | 4    |
| 6   | 032585 | GASKET     | FLANGE TO MANIFOLD 3 CYLINDER            | 1    |
| 7   | 032622 | FLANGE     | MANIFOLD FRONT 3 CYLINDER                | 1    |
| 8   | 031758 | LOCKWASHER | 5/16 3 CYLINDER                          | 4    |
| 9   | 031760 | NUT        | 5/16NF 3 CYLINDER                        | 4    |
| 10  | 036660 | ADAPTER    | EXHAUST ELBOW TO FLANGE                  | 1    |
| 11  | 037845 | MANIFOLD   | FRONT EXHAUST 4 CYLINDER                 | 1    |
| 12  | 037821 | STUD       | MANIFOLD TO FLANGE 4 CYLINDER            | 2    |
| 13  | 037267 | GASKET     | FLANGE TO MANIFOLD 4 CYLINDER            | 1    |
| 14  | 037232 | FLANGE     | MANIFOLD TO ADAPTER 4 CYLINDER           | 1    |
| 15  | 019262 | LOCKWASHER | M10 DIN 127 4 CYLINDER                   | 2    |
| 16  | 015887 | NUT        | M10 DIN 934 4 CYLINDER                   | 2    |



35B - 38B - 42B - BACK END - MODEL JS TRANSMISSION - MOUNTS

| REF  | PN     | NAME       | REMARKS                                | QUAN |
|------|--------|------------|--|------|
| 1-1  | 034552 | MOTOR      | STARTER 12 VDC 35B                     | 1    |
| 1-2  | 030593 | MOTOR      | STARTER 12 VDC 38B,42B                 | 1    |
| 2-1  | 034589 | CAPSCREW   | M10 X 30 DIN 933 35B                   | 2    |
| 2-2  | 034589 | CAPSCREW   | M10 X 30 DIN 933 38B,42B               | 1    |
| 3    | 019262 | LOCKWASHER | M10 DIN 127                            | 2    |
| 4    | 031789 | WASHER     | M10 DIN 125                            | 2    |
| 5-1  | 034833 | CAPSCREW   | M10 X 60 DIN 912 35B                   | 1    |
| 5-2  | 035307 | CAPSCREW   | M10 X 65 DIN 912 38B,42B               | 1    |
| 6    | 019262 | LOCKWASHER | M10 DIN 127                            | 1    |
| 7    | 034589 | CAPSCREW   | M10 X 30 DIN 933                       | 5    |
| 8    | 019262 | LOCKWASHER | M10 DIN 127                            | 5    |
| 9-1  | 034240 | PLATE      | BACK 35B                               | 1    |
| 9-2  | 034556 | PLATE      | BACK 38B,42B                           | 1    |
| 10   | 015887 | NUT        | M10 DIN 934                            | 2    |
| 11   | 019262 | LOCKWASHER | M10 DIN 127                            | 2    |
| 12-1 | 034656 | FLYWHEEL   | INCLUDING RING GEAR 35B                | 1    |
| 12-2 | 034666 | FLYWHEEL   | INCLUDING RING GEAR 38B,42B            | 1    |
| 12-3 | 032996 | GEAR       | RING 35B                               | 1    |
| 12-4 | 030230 | GEAR       | RING 38B,42B                           | 1    |
| 13   | 013919 | DOWEL      |  | 2    |
| 14   | 033279 | BOLT       | FLYWHEEL                               | 5    |
| 15   | 015887 | NUT        | M10 DIN 934                            | 2    |
| 16   | 019262 | LOCKWASHER | M10 DIN 127                            | 1    |
| 17   | 024778 | SCREW      | DAMPER                                 | 5    |
| 18   | 030940 | DAMPER     |  | 1    |
| 19-1 | 031834 | CAPSCREW   | M12 X 1.25 X 30 DIN 961 35B            | 6    |
| 19-2 | 024959 | CAPSCREW   | M12 X 1.25 X 25 DIN 961 35B BOTTOM     | 2    |
| 19-3 | 031834 | CAPSCREW   | M12 X 1.25 X 30 DIN 961 38B,42B        | 8    |
| 20-1 | 031792 | LOCKWASHER | M12 DIN 127 35B                        | 6    |
| 20-2 | 031792 | LOCKWASHER | M12 DIN 127 38B,42B                    | 8    |
| 21   | 033920 | MOUNT      | FRONT                                  | 2    |
| 22   | 032014 | CAPSCREW   | M12 X 1.25 X 30 JIS                    | 4    |
| 23   | 031792 | LOCKWASHER | M12 DIN 127                            | 4    |
| 24   | 037200 | MOUNT      | REAR RIGHT                             | 1    |
| 25   | 037202 | MOUNT      | REAR LEFT                              | 1    |
| 26   | 031792 | LOCKWASHER | M12 DIN 127                            | 4    |
| 27   | 031834 | CAPSCREW   | M12 X 1.25 X 30 DIN 961                | 3    |
| 28   | 037456 | HOSE       | TRANSMISSION TO CONNECTOR              | 1    |
| 29   | 011405 | CLAMP      | HOSE 16                                | 4    |
| 30   | 035822 | GEAR       | MODEL JS 2.47:1                        | 1    |
| 31   | 034470 | CAPSCREW   | M10 X 45 DIN 931                       | 2    |
| 32   | 031789 | WASHER     | M10 DIN 125                            | 2    |
| 33-1 | 037457 | HOSE       | SEA WATER PUMP TO TRANSMISSION 35B     | 1    |
| 33-2 | 037455 | HOSE       | SEA WATER PUMP TO TRANSMISSION 38B,42B | 1    |
| 35-1 | 036340 | ISOLATOR   | ASSEMBLY INCLUDING LOCKNUTS 35B        | 4    |
| 35-2 | 036341 | ISOLATOR   | ASSEMBLY INCLUDING LOCKNUTS 38B,42B    | 4    |
| 36   | 036338 | NUT        | M16 DIN 985                            | 8    |

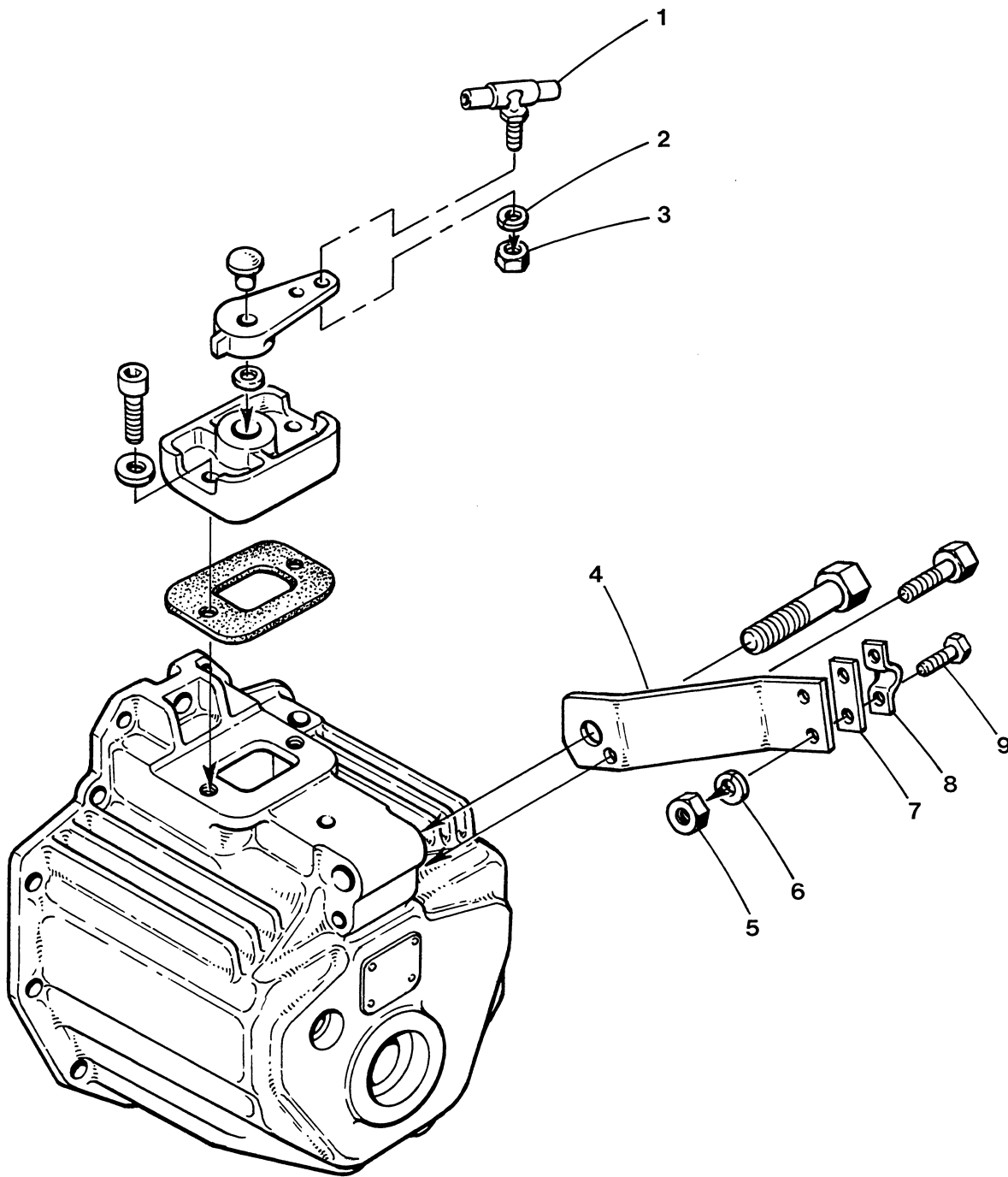




## 35B - 38B - 42B - BACK END - MODEL JS TRANSMISSION - MOUNTS

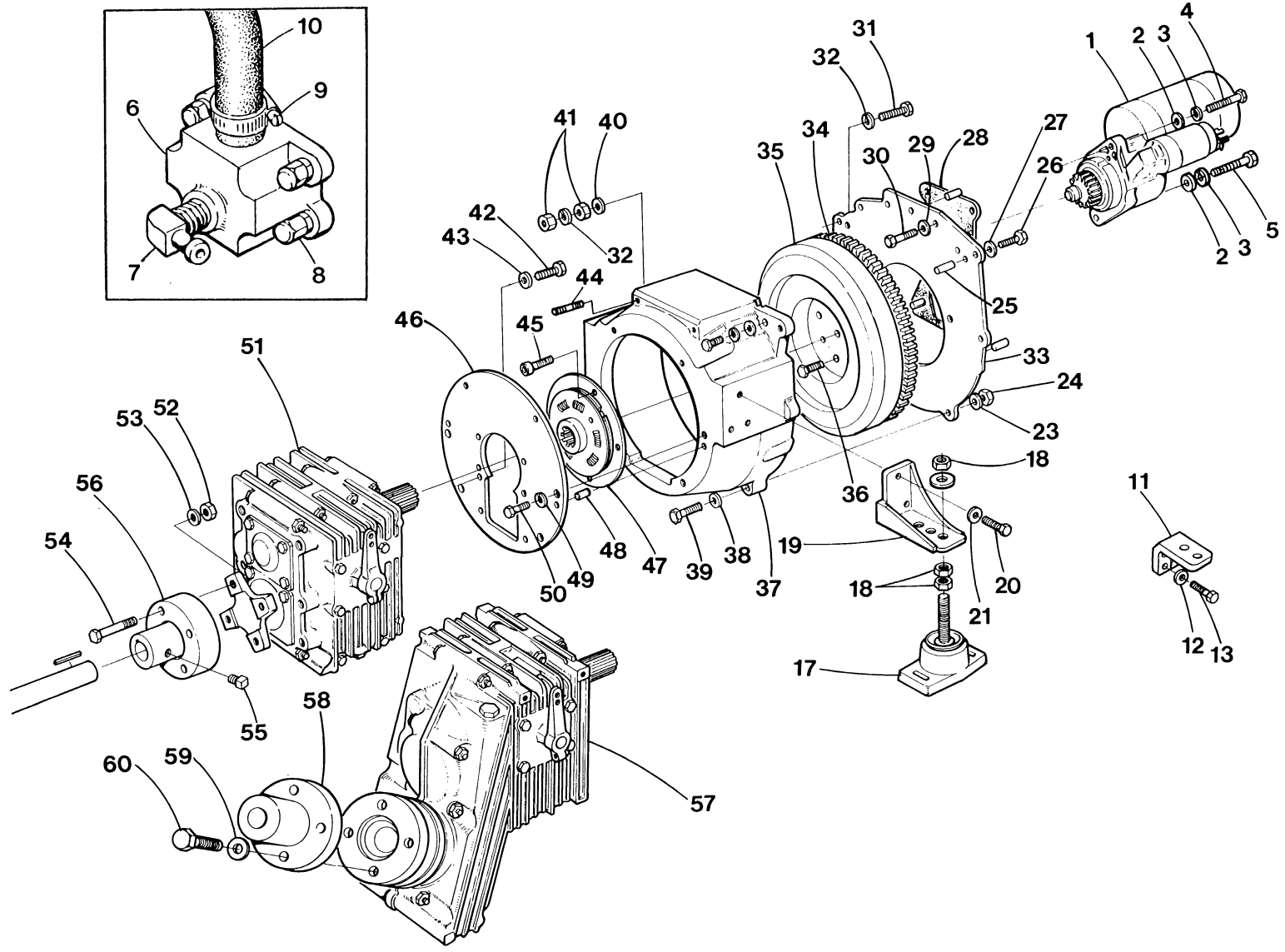
| REF  | PN     | NAME       | REMARKS                 | QUAN |
|------|--------|------------|-------------------------|------|
| 37-1 | 023679 | COUPLING   | 0.75 IN BORE            | 1    |
| 37-2 | 023680 | COUPLING   | 0.875 IN BORE           | 1    |
| 37-3 | 023681 | COUPLING   | 1.0 IN BORE             | 1    |
| 37-4 | 023682 | COUPLING   | 1.125 IN BORE           | 1    |
| 37-5 | 023683 | COUPLING   | 1.25 IN BORE            | 1    |
| 37-6 | 023684 | COUPLING   | 1.375 IN BORE           | 1    |
| 37-7 | 023685 | COUPLING   | 1.5 IN BORE             | 1    |
| 38   | 031228 | CAPSCREW   | M10 X 1.25 X 30 DIN 961 | 4    |
| 39-1 | 023651 | SETSCREW   | COUPLING 3/8NC X 3/4    | 2    |
| 39-2 | 023652 | SETSCREW   | 3/8NC X 1               | 2    |
| 40   | 019262 | LOCKWASHER | M10 DIN 127             | 4    |
| 41   | 024950 | NUT        | M10 X 1.25 DIN 934      | 4    |
| 42   | 037504 | CONNECTOR  | INCLUDING BRACKET       | 1    |
| 43   | 034189 | SPACER     |                         | 1    |
| 44   | 037507 | CAPSCREW   | M12 X 1.25 X 80 DIN 960 | 1    |

35B - 38B - 42B - MODEL JS TRANSMISSION SHIFTING BRACKET



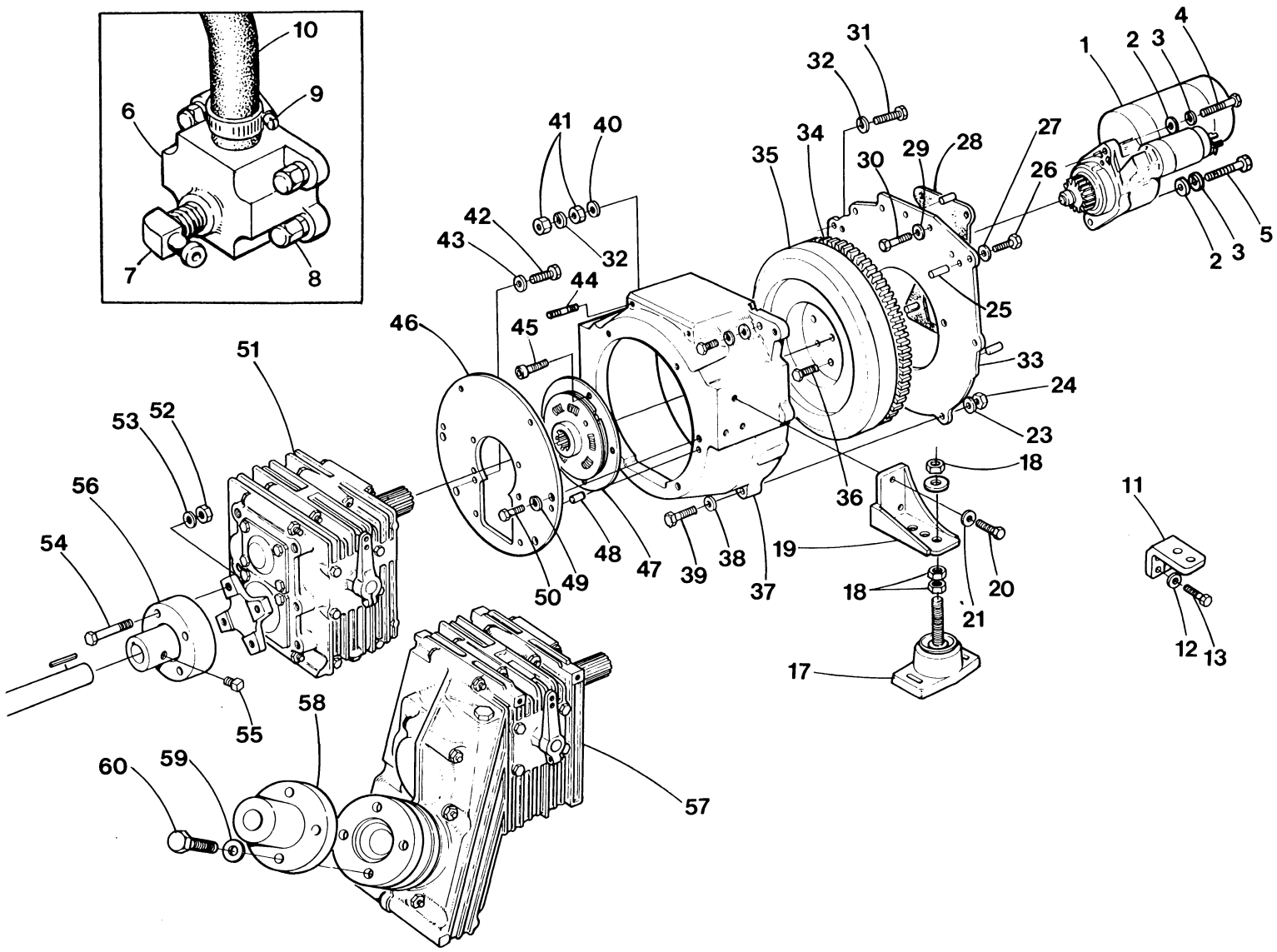
## 35B - 38B - 42B - MODEL JS TRANSMISSION SHIFTING BRACKET

| REF | PN     | NAME       | REMARKS        | QUAN |
|-----|--------|------------|----------------|------|
| 1   | 033482 | BALL JOINT |                | 1    |
| 2   | 031752 | LOCKWASHER | 1/4            | 1    |
| 3   | 031754 | NUT        | 1/4NF          | 1    |
| 4   | 031451 | BRACKET    | SHIFT CABLE    | 1    |
| 5   | 031847 | NUT        | 10-32          | 2    |
| 6   | 031849 | LOCKWASHER | 10             | 2    |
| 7   | 013870 | SHIM       | CABLE CLAMP    | 1    |
| 8   | 013325 | CLAMP      | CABLE          | 1    |
| 9   | 031873 | SCREW      | 10-32 X 5/8 BH | 2    |



## 35B - 38B - 42B - BACK END - MODEL HBW TRANSMISSION - MOUNTS

| REF  | PN     | NAME       | REMARKS                             | QUAN |
|------|--------|------------|-------------------------------------|------|
| 1-1  | 034552 | MOTOR      | STARTER 12 VDC 35B                  | 1    |
| 1-2  | 030593 | MOTOR      | STARTER 12 VDC 38B,42B              | 1    |
| 2    | 031789 | WASHER     | M10 DIN 125                         | 2    |
| 3    | 019262 | LOCKWASHER | M10 DIN 127                         | 2    |
| 4-1  | 034589 | CAPSCREW   | M10 X 30 DIN 933 35B                | 1    |
| 4-2  | 035307 | CAPSCREW   | M10 X 65 DIN 912 38B,42B            | 1    |
| 5    | 034589 | CAPSCREW   | M10 X 30 DIN 933                    | 1    |
| 6    | 036648 | COOLER     | TRANSMISSION                        | 1    |
| 7    | 036614 | ELBOW      | 3/4 NPT TO 1 HOSE                   | 1    |
| 8-1  | 017196 | CAPSCREW   | M 8 X 25 DIN 933                    | 4    |
| 8-2  | 031786 | LOCKWASHER | M 8 DIN 127                         | 4    |
| 9    | 011405 | CLAMP      | HOSE 16                             | 2    |
| 10   | 011779 | HOSE       | 1" ID WIRE INSERTED-INCHES REQUIRED | 24   |
| 11   | 033920 | MOUNT      | FRONT                               | 2    |
| 12   | 031792 | LOCKWASHER | M12 DIN 127                         | 4    |
| 13   | 032014 | CAPSCREW   | M12 X 1.25 X 30 JIS                 | 4    |
| 17-1 | 036340 | ISOLATOR   | ASSEMBLY INCLUDING LOCKNUTS 35B     | 4    |
| 17-2 | 036341 | ISOLATOR   | ASSEMBLY INCLUDING LOCKNUTS 38B,42B | 4    |
| 18   | 036338 | NUT        | M16 DIN 985 LOCKING                 | 8    |
| 19   | 033890 | MOUNT      | REAR                                | 2    |
| 20   | 013629 | CAPSCREW   | M10 X 25 DIN 933                    | 6    |
| 21   | 019262 | LOCKWASHER | M10 DIN 127                         | 6    |
| 23   | 019262 | LOCKWASHER | M10 DIN 127                         | 2    |
| 24   | 015887 | NUT        | M10 DIN 934                         | 2    |
| 25   | 013919 | DOWEL      | BACKPLATE TO HOUSING                | 2    |
| 26   | 034589 | CAPSCREW   | M10 X 30 DIN 933                    | 5    |
| 27   | 019262 | LOCKWASHER | M10 DIN 127                         | 5    |
| 28   | 030491 | GASKET     | BACKPLATE TO BLOCK                  | 1    |
| 29-1 | 031792 | LOCKWASHER | M12 DIN 127 35B                     | 6    |
| 29-2 | 031792 | LOCKWASHER | M12 DIN 127 38B,42B                 | 8    |
| 30-1 | 024959 | CAPSCREW   | M12 X 1.25 X 25 DIN 961 35B BOTTOM  | 2    |
| 30-2 | 031834 | CAPSCREW   | M12 X 1.25 X 30 DIN 961 35B         | 6    |
| 30-3 | 031834 | CAPSCREW   | M12 X 1.25 X 30 DIN 961 38B,42B     | 8    |
| 31   | 034833 | CAPSCREW   | M10 X 60 DIN 912 35B                | 1    |
| 32   | 019262 | LOCKWASHER | M10 DIN 127                         | 2    |
| 33-1 | 034240 | PLATE      | BACK 35B                            | 1    |
| 33-2 | 034556 | PLATE      | BACK 38B,42B                        | 1    |
| 34-1 | 032996 | GEAR       | RING 35B                            | 1    |
| 34-2 | 030230 | GEAR       | RING 38B,42B                        | 1    |
| 35-1 | 034656 | FLYWHEEL   | INCLUDING RING GEAR 35B             | 1    |
| 35-2 | 034666 | FLYWHEEL   | INCLUDING RING GEAR 38B,42B         | 1    |
| 36   | 033279 | BOLT       | FLYWHEEL                            | 5    |
| 37   | 034682 | HOUSING    | FLYWHEEL                            | 1    |
| 38   | 031789 | WASHER     | M10 DIN 125                         | 2    |
| 39   | 034470 | CAPSCREW   | M10 X 45 DIN 931                    | 2    |
| 40   | 031789 | WASHER     | M10 DIN 125                         | 1    |
| 41   | 015887 | NUT        | M10 DIN 934                         | 2    |

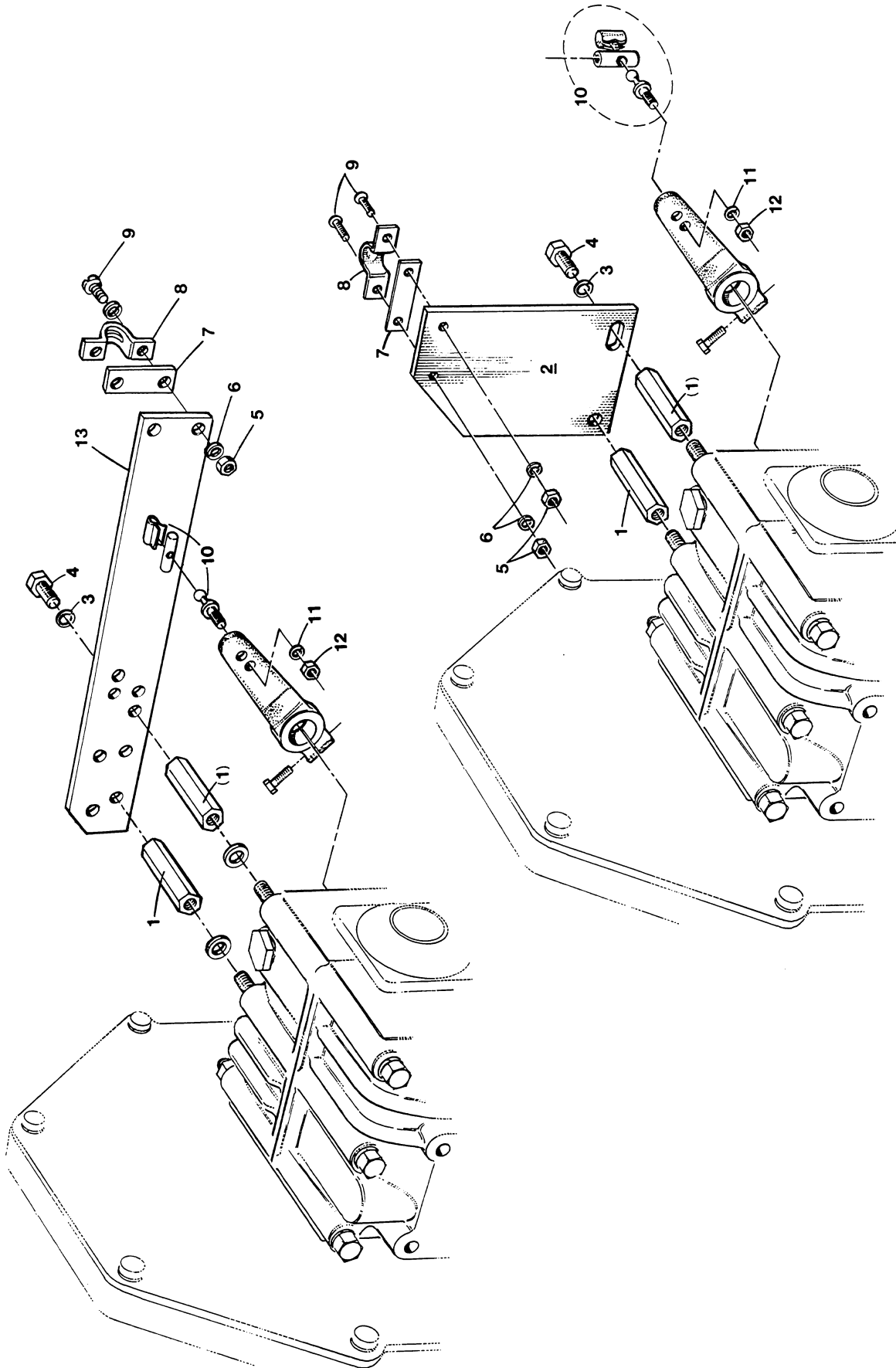


## 35B - 38B - 42B - BACK END - MODEL HBW TRANSMISSION - MOUNTS

| REF  | PN     | NAME       | REMARKS                      | QUAN |
|------|--------|------------|------------------------------|------|
| 42-1 | 020650 | CAPSCREW   | M 8 X 18 DIN 933 HBW         | 6    |
| 42-2 | 018813 | CAPSCREW   | M10 X 20 DIN 933 HBW V-DRIVE | 6    |
| 43-1 | 031786 | LOCKWASHER | M 8 DIN 127 HBW              | 6    |
| 43-2 | 031790 | LOCKWASHER | M10 DIN 127 HBW V-DRIVE      | 6    |
| 44   | 015830 | STUD       | M 8 X 25 DIN 939             | 2    |
| 45   | 024778 | SCREW      | DAMPER TO FLYWHEEL           | 5    |
| 46-1 | 031267 | ADAPTER    | HBW TRANSMISSION             | 1    |
| 46-2 | 030063 | ADAPTER    | HBW V-DRIVE                  | 1    |
| 47   | 019398 | DAMPER     |                              | 1    |
| 48   | 019039 | DOWEL      | ADAPTER 31267 TO HOUSING     | 2    |
| 49   | 019262 | LOCKWASHER | M10 DIN 127                  | 6    |
| 50-1 | 013629 | CAPSCREW   | M10 X 25 DIN 933 HBW         | 6    |
| 50-2 | 034589 | CAPSCREW   | M10 X 30 DIN 933 HBW V-DRIVE | 6    |
| 51-1 | 030140 | HBW GEAR   | MODEL 100 1.5:1              | 1    |
| 51-2 | 024630 | HBW GEAR   | MODEL 100 1.8:1              | 1    |
| 51-3 | 030095 | HBW GEAR   | MODEL 100 2.7:1 35B          | 1    |
| 51-4 | 030049 | HBW GEAR   | MODEL 150 2.6:1 38B, 42B     | 1    |
| 52   | 024950 | NUT        | M10 X 1.25 DIN 934           | 4    |
| 53   | 019262 | LOCKWASHER | M10 DIN 127                  | 4    |
| 54   | 031228 | CAPSCREW   | M10 X 1.25 X 30 DIN 961      | 4    |
| 55-1 | 023450 | SETSCREW   | COUPLING 7/16NC X 1          | 2    |
| 55-2 | 023651 | SETSCREW   | COUPLING 3/8NC X 3/4         | 2    |
| 55-3 | 023652 | SETSCREW   | COUPLING 3/8NC X 1           | 2    |
| 56-1 | 023679 | COUPLING   | HBW 0.75 IN BORE             | 1    |
| 56-2 | 023680 | COUPLING   | HBW 0.875 IN BORE            | 1    |
| 56-3 | 023681 | COUPLING   | HBW 1.0 IN BORE              | 1    |
| 56-4 | 023682 | COUPLING   | HBW 1.125 IN BORE            | 1    |
| 56-5 | 023683 | COUPLING   | HBW 1.25 IN BORE             | 1    |
| 56-6 | 023684 | COUPLING   | HBW 1.375 IN BORE            | 1    |
| 56-7 | 023685 | COUPLING   | HBW 1.5 IN BORE              | 1    |
| 57-1 | 031249 | HBW GEAR   | V-DRIVE 1.8:1                | 1    |
| 57-2 | 030048 | HBW GEAR   | V-DRIVE 2.1:1                | 1    |
| 57-3 | 031250 | HBW GEAR   | V-DRIVE 3.0:1                | 1    |
| 58-1 | 023706 | COUPLING   | HBW V-DRIVE 0.75 IN BORE     | 1    |
| 58-2 | 023707 | COUPLING   | HBW V-DRIVE 0.875 IN BORE    | 1    |
| 58-3 | 023708 | COUPLING   | HBW V-DRIVE 1.0 IN BORE      | 1    |
| 58-4 | 023709 | COUPLING   | HBW V-DRIVE 1.125 IN BORE    | 1    |
| 58-5 | 023710 | COUPLING   | HBW V-DRIVE 1.25 IN BORE     | 1    |
| 58-6 | 023711 | COUPLING   | HBW V-DRIVE 1.375 IN BORE    | 1    |
| 58-7 | 023712 | COUPLING   | HBW V-DRIVE 1.5 IN BORE      | 1    |
| 59   | 019262 | LOCKWASHER | M10 DIN 127                  | 4    |
| 60   | 013629 | CAPSCREW   | M10 X 25 DIN 933             | 4    |

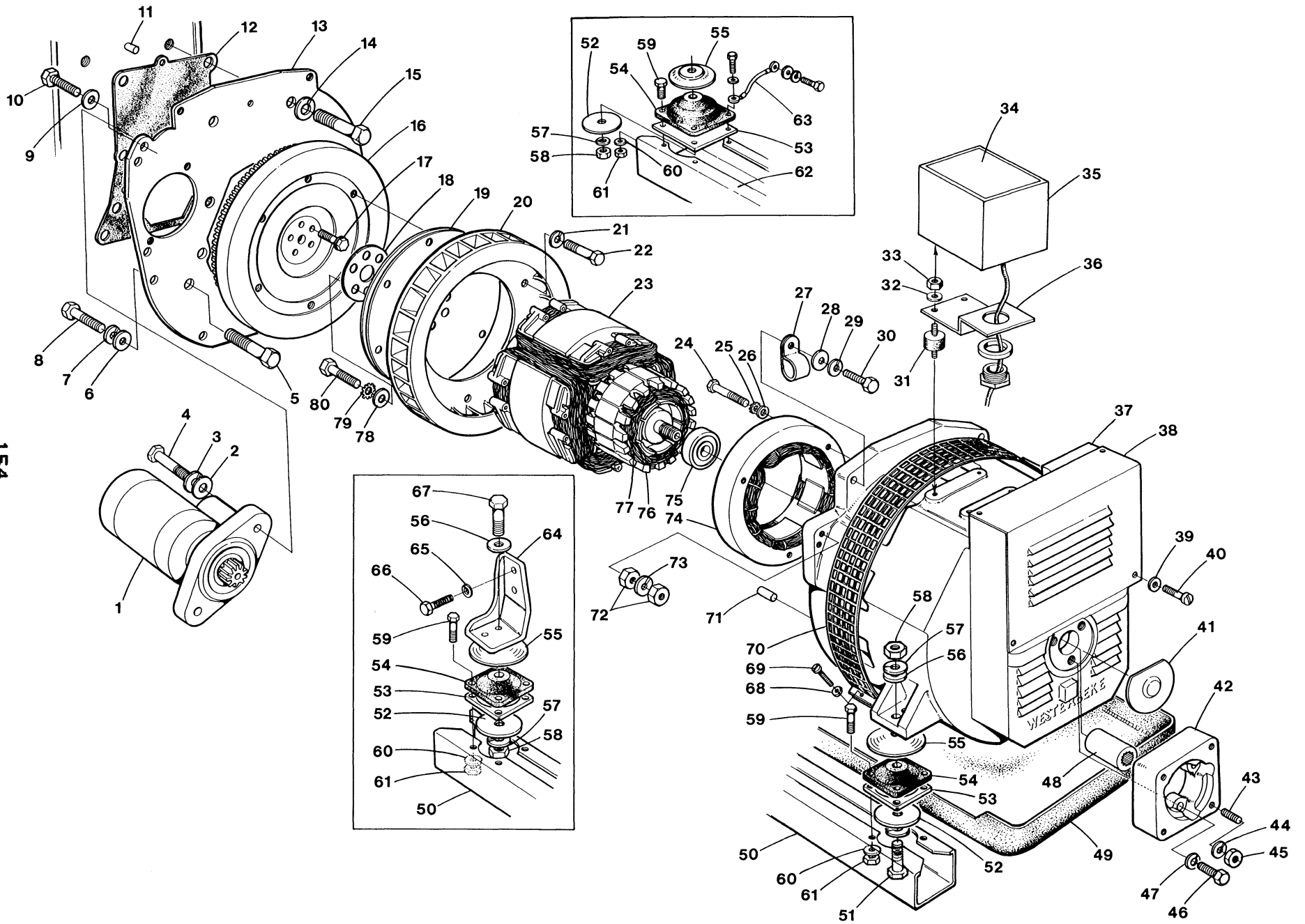


35B - 38B - 42B - MODEL HBW TRANSMISSION SHIFTING BRACKET



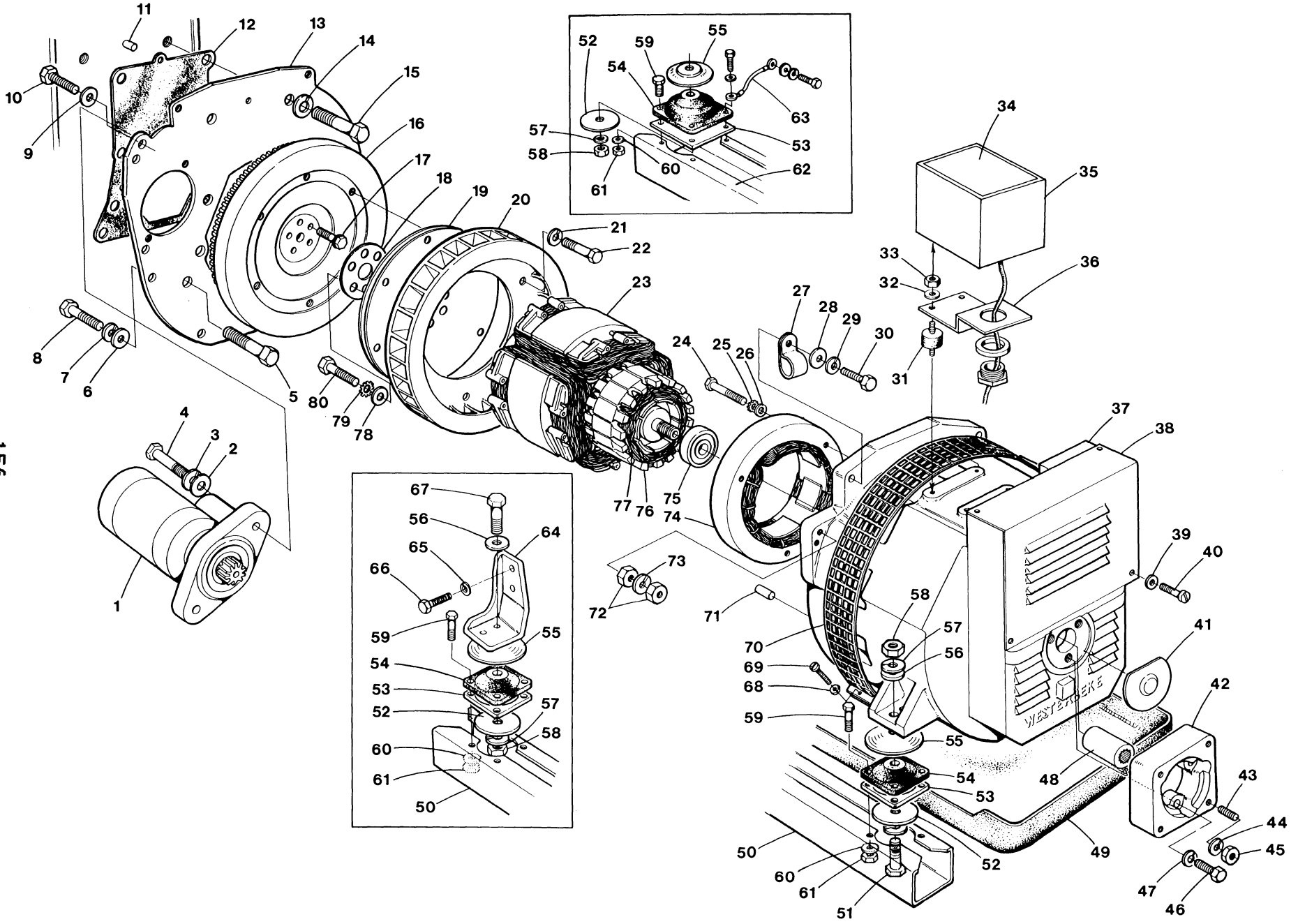
## 35B - 38B - 42B - MODEL HBW TRANSMISSION SHIFTING BRACKET

| REF | PN     | NAME       | REMARKS                | QUAN |
|-----|--------|------------|------------------------|------|
| 1   | 030756 | NUT        | M 8 PILLAR             | 2    |
| 2   | 030181 | BRACKET    | SHIFT CABLE TOP ENTRY  | 1    |
| 3   | 031786 | LOCKWASHER | M 8 DIN 127            | 2    |
| 4   | 013630 | CAPSCREW   | M 8 X 25 DIN 933       | 2    |
| 5   | 031847 | NUT        | 10-32                  | 2    |
| 6   | 031849 | LOCKWASHER | 10                     | 2    |
| 7   | 013870 | SHIM       | CABLE CLAMP            | 1    |
| 8   | 013325 | CLAMP      | CABLE                  | 1    |
| 9   | 031873 | SCREW      | 10-32 X 5/8            | 2    |
| 10  | 033482 | BALL JOINT |                        | 1    |
| 11  | 031752 | LOCKWASHER | 1/4                    | 1    |
| 12  | 031754 | NUT        | 1/4NF                  | 1    |
| 13  | 032161 | BRACKET    | SHIFT CABLE REAR ENTRY | 1    |



10.0 BTD - 11.0 BTD - 12.5 BTDA - GENERATOR - BACK END - MOUNT SYSTEM

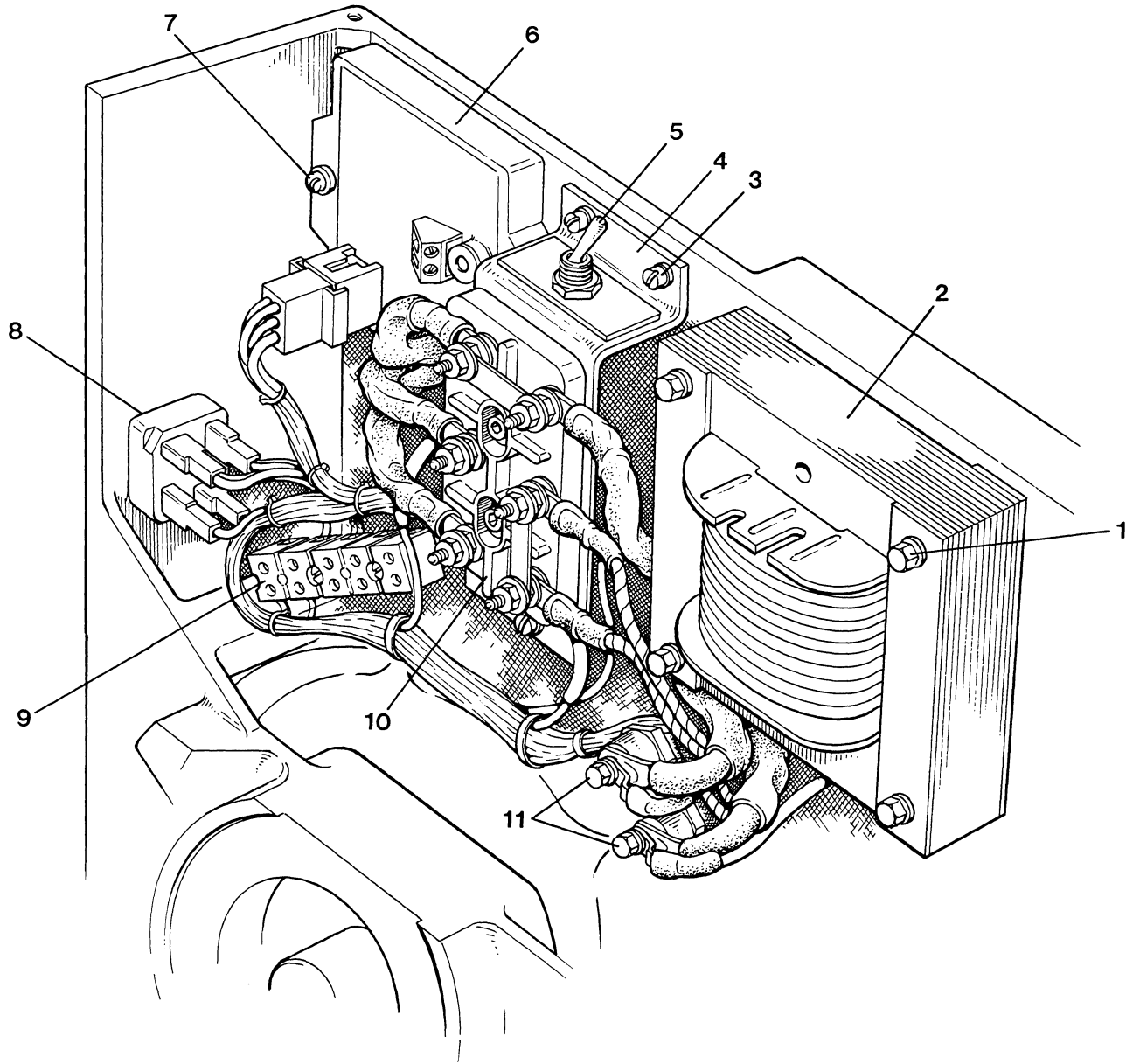
| REF  | PN     | NAME       | REMARKS                                  | QUAN |
|------|--------|------------|--|------|
| 1-1  | 034552 | MOTOR      | STARTER 12 VDC 10.0 BTD                  | 1    |
| 1-2  | 030593 | MOTOR      | STARTER 12 VDC 11.0 BTD, 12.5 BTDA       | 1    |
| 2    | 031789 | WASHER     | M10 DIN 125                              | 2    |
| 3    | 019262 | LOCKWASHER | M10 DIN 127                              | 2    |
| 4-1  | 034589 | CAPSCREW   | M10 X 30 DIN 933 10.0 BTD                | 2    |
| 4-2  | 031926 | CAPSCREW   | M10 X 35 DIN 933 11.0 BTD, 12.5 BTDA TOP | 1    |
| 4-3  | 034589 | CAPSCREW   | M10 X 30 DIN 933 11.0 BTD, 12.5 BTDA     | 1    |
| 5    | 024959 | CAPSCREW   | M12 X 1.25 X 25 DIN 961 10.0 BTD         | 2    |
| 6    | 031789 | WASHER     | M10 DIN 125                              | 5    |
| 7    | 019262 | LOCKWASHER | M10 DIN 127                              | 5    |
| 8    | 013629 | CAPSCREW   | M10 X 25 DIN 933                         | 5    |
| 9    | 019262 | LOCKWASHER | M10 DIN 127                              | 1    |
| 10   | 013631 | CAPSCREW   | M10 X 55 DIN 933 10.0 BTD                | 1    |
| 11   |        | DOWEL      | SEE BLOCK PAGE                           |      |
| 12   | 030491 | GASKET     | BACKPLATE TO BLOCK                       | 1    |
| 13-1 | 034010 | PLATE      | BACK 10.0 BTD                            | 1    |
| 13-2 | 036040 | PLATE      | BACK 11.0 BTD, 12.5 BTDA                 | 1    |
| 14-1 | 031792 | LOCKWASHER | M12 DIN 127 10.0 BTD                     | 6    |
| 14-2 | 031792 | LOCKWASHER | M12 DIN 127 11.0 BTD, 12.5 BTDA          | 8    |
| 15-1 | 031834 | CAPSCREW   | M12 X 1.25 X 30 DIN 961 3 CYLINDER       | 6    |
| 15-2 | 031834 | CAPSCREW   | M12 X 1.25 X 30 DIN 961 4 CYLINDER       | 8    |
| 16-1 | 037207 | FLYWHEEL   | INCLUDING RING GEAR 10.0 BTD             | 1    |
| 16-2 | 036385 | FLYWHEEL   | INCLUDING RING GEAR 11.0 BTD, 12.5 BTDA  | 1    |
| 16-3 | 032996 | GEAR       | RING 10.0 BTD                            | 1    |
| 16-4 | 030230 | GEAR       | RING 11.0 BTD, 12.5 BTDA                 | 1    |
| 17   | 033279 | BOLT       | FLYWHEEL                                 | 5    |
| 18   | 035928 | PLATE      | THRUST, DRIVE DISC TO ARMATURE           | 1    |
| 19   | 035927 | PLATE      | DRIVE DISC                               | 3    |
| 20   | 035929 | FAN        |  | 1    |
| 21   | 031786 | LOCKWASHER | M 8 DIN 127                              | 8    |
| 22   | 017196 | CAPSCREW   | M 8 X 20 DIN 933                         | 8    |
| 23   | 037464 | ARMATURE   |  | 1    |
| 24   | 031919 | CAPSCREW   | M 5 X 35 DIN 912                         | 3    |
| 25   | 031914 | LOCKWASHER | M 5 DIN 6797A                            | 3    |
| 26   | 031781 | WASHER     | M 5 DIN 125                              | 3    |
| 27   | 013760 | CLAMP      | HARNESS                                  | 1    |
| 28   | 031789 | WASHER     | M10 DIN 125                              | 2    |
| 29   | 019262 | LOCKWASHER | M10 DIN 127                              | 2    |
| 30-1 | 034470 | CAPSCREW   | M10 X 45 DIN 931 10.0 BTD                | 2    |
| 30-2 | 034590 | CAPSCREW   | M10 X 40 DIN 933 11.0 BTD, 12.5 BTDA     | 3    |
| 31   | 036652 | ISOLATOR   | PANEL BOX MOUNT                          | 4    |
| 32   | 031783 | LOCKWASHER | M 6 DIN 127                              | 4    |
| 33   | 015812 | NUT        | M 6 DIN 934                              | 4    |
| 34   | 024968 | DECAL      | GENERATOR OPERATION INSTRUCTIONS         | 1    |
| 35   | 036712 | PANEL      | GENERATOR CONTROL BOX AND HARNESS        | 1    |
| 36   | 036730 | BRACKET    | PANEL BOX MOUNTING INCLUDED IN REF 35    | 1    |
| 37-1 | 037437 | GENERATOR  |  | 1    |
| 37-2 | 037465 | STATOR     | ASSEMBLY INCLUDING HOUSING               | 1    |
| 37-3 | 037466 | STATOR     |  | 1    |
| 38   | 037851 | COVER      |  | 1    |
| 39   | 031914 | LOCKWASHER | M 5 DIN 6797A                            | 4    |
| 40   | 031918 | SCREW      | M 5 X 10 DIN 84A                         | 4    |



10.0 BTD - 11.0 BTD - 12.5 BTDA - GENERATOR - BACK END - MOUNT SYSTEM

| REF  | PN     | NAME       | REMARKS                             | QUAN |
|------|--------|------------|-------------------------------------|------|
| 41   | 036701 | COVER      | PTO INTERFACE                       | 1    |
| 42-1 | 037134 | KIT        | PTO INCL REF 42 THRU 48             | 1    |
| 42-2 | 037197 | DRAWING    | PTO INSTALLATION                    | 1    |
| 42-3 | 034738 | ADAPTER    |                                     | 1    |
| 43   | 034867 | STUD       | 1/2 NC                              | 4    |
| 44   | 031776 | LOCKWASHER | 1/2                                 | 4    |
| 45   | 031774 | NUT        | 1/2NC                               | 4    |
| 46   | 013589 | CAPSCREW   | M12 X 40 DIN 933                    | 3    |
| 47   | 031792 | LOCKWASHER | M12 DIN 127                         | 3    |
| 48   | 037188 | DRIVE      | PTO SAE-B SPLINE                    | 1    |
| 49-1 | 036376 | DRIPTRAY   | 10.0 BTD                            | 1    |
| 49-2 | 037378 | DRIPTRAY   | 11.0 BTD,12.5 BTDA                  | 1    |
| 50-1 | 036521 | RAIL       | ASSEMBLY LEFT 10.0 BTD              | 1    |
| 50-2 | 036436 | RAIL       | ASSEMBLY LEFT 11.0 BTD,12.5 BTDA    | 1    |
| 51-1 | 031712 | CAPSCREW   | 1/2NC X 2-3/4 10.0 BTD              | 2    |
| 51-2 | 031713 | CAPSCREW   | 1/2NC X 3 11.0 BTD,12.5 BTDA        | 2    |
| 52   | 024674 | WASHER     | SNUBBING                            | 4    |
| 53-1 | 033574 | PLATE      | REINFORCING 10.0 BTD                | 4    |
| 53-2 | 035271 | SPACER     | ISOLATOR 11.0 BTD,12.5 BTDA         | 4    |
| 54-1 | 021529 | ISOLATOR   | 10.0 BTD                            | 4    |
| 54-2 | 015238 | ISOLATOR   | 11.0 BTD,12.5 BTDA                  | 4    |
| 55   | 033530 | SHIELD     | FRONT ISOLATOR                      | 2    |
| 56   | 031777 | WASHER     | FLAT 1/2                            | 4    |
| 57   | 031776 | LOCKWASHER | 1/2                                 | 4    |
| 58   | 031774 | NUT        | 1/2NC                               | 4    |
| 59-1 | 031555 | CAPSCREW   | 5/16NC X 1 10.0 BTD                 | 16   |
| 59-2 | 031577 | CAPSCREW   | 5/16NC X 1-1/2 11.0 BTD,12.5 BTDA   | 16   |
| 60   | 031758 | LOCKWASHER | 5/16                                | 16   |
| 61   | 031756 | NUT        | 5/16NC                              | 16   |
| 62-1 | 036522 | RAIL       | ASSEMBLY RIGHT 10.0 BTD             | 1    |
| 62-2 | 036437 | RAIL       | ASSEMBLY RIGHT 11.0 BTD,12.5 BTDA   | 1    |
| 63   | 034593 | STRAP      | GROUND                              | 1    |
| 64-1 | 033918 | MOUNT      | FRONT 10.0 BTD                      | 2    |
| 64-2 | 036388 | MOUNT      | FRONT RIGHT 11.0 BTD,12.5 BTDA      | 1    |
| 64-3 | 036390 | MOUNT      | FRONT LEFT 11.0 BTD,12.5 BTDA       | 1    |
| 65   | 031792 | LOCKWASHER | M12 DIN 127                         | 4    |
| 66   | 032014 | CAPSCREW   | M12 X 1.25 X 30 JIS                 | 4    |
| 67-1 | 031711 | CAPSCREW   | 1/2NC X 2-1/2 10.0 BTD              | 2    |
| 67-2 | 031713 | CAPSCREW   | 1/2NC X 3 11.0 BTD,12.5 BTDA        | 2    |
| 68   | 031914 | LOCKWASHER | M 5 DIN 6797A                       | 1    |
| 69   | 031920 | SCREW      | M 5 X 20 DIN 84A                    | 1    |
| 70   | 035935 | GUARD      | AIR                                 | 1    |
| 71   | 019039 | DOWEL      |                                     | 2    |
| 72-1 | 015887 | NUT        | M10 DIN 934 10.0 BTD                | 2    |
| 72-2 | 018813 | CAPSCREW   | M10 X 20 DIN 933 11.0 BTD,12.5 BTDA | 1    |
| 73   | 019262 | LOCKWASHER | M10 DIN 127                         | 1    |
| 74   | 037467 | STATOR     | EXCITER                             | 1    |
| 75   | 037460 | BEARING    | BALL                                | 1    |
| 76   | 035943 | RESISTOR   | POSI                                | 1    |
| 77   | 035931 | DIODE      |                                     | 6    |
| 78   | 031789 | WASHER     | M10 DIN 125                         | 6    |
| 79   | 031915 | LOCKWASHER | M10 DIN 6797A                       | 6    |
| 80   | 013629 | CAPSCREW   | M10 X 25 DIN 933                    | 6    |

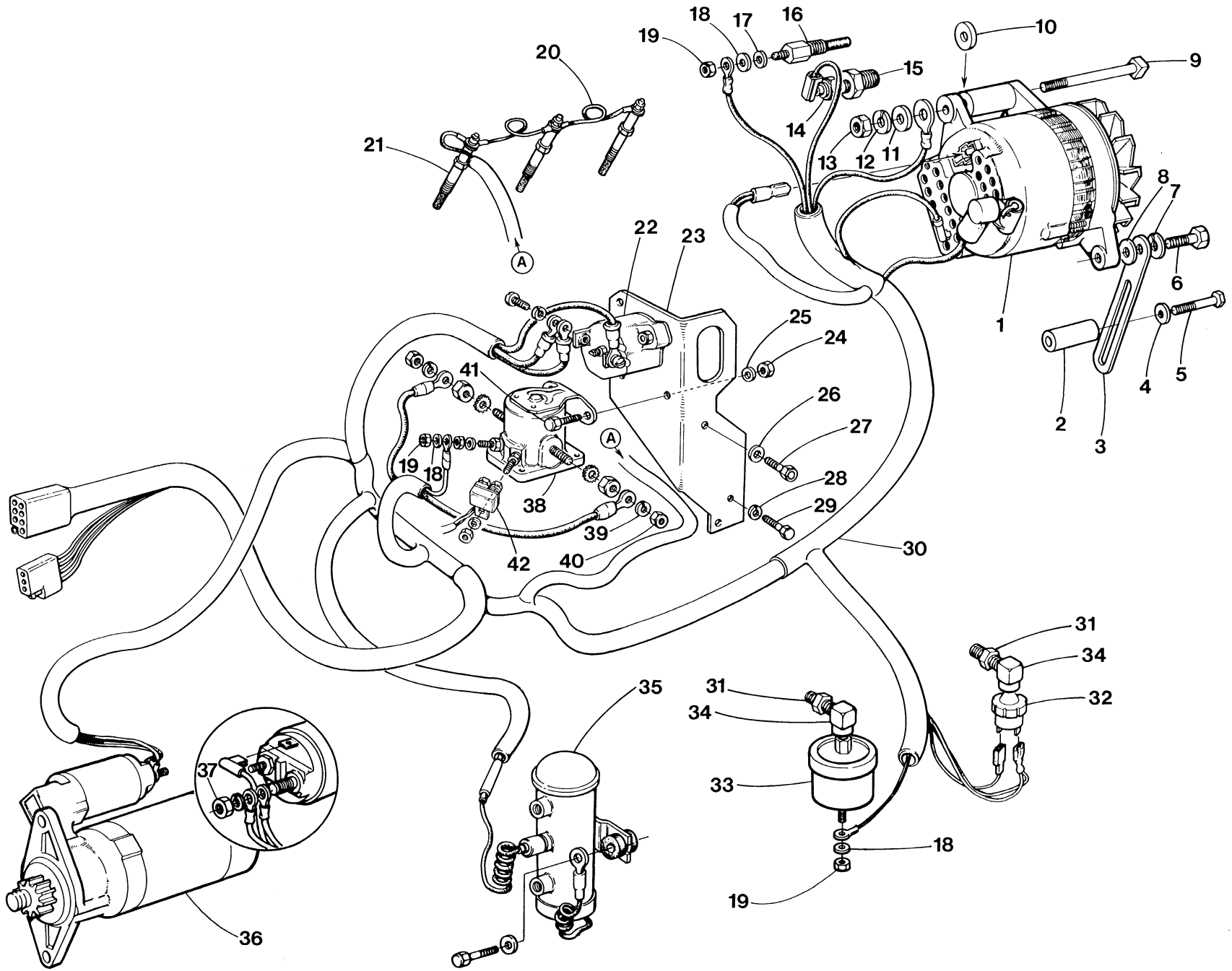
10.0 BTD - 11.0 BTD - 12.5 BTDA - AC OUTPUT AND REGULATOR



10.0 BTD - 11.0 BTD - 12.5 BTDA - AC OUTPUT AND REGULATOR

| REF  | PN     | NAME       | REMARKS                     | QUAN |
|------|--------|------------|-----------------------------|------|
| 1-1  | 031916 | CAPSCREW   | M 5 X 50 DIN 933            | 4    |
| 1-2  | 031914 | LOCKWASHER | M 5 DIN 6797A               | 4    |
| 1-3  | 031781 | WASHER     | M 5 DIN 125                 | 4    |
| 2    | 037463 | TRANSFORMR | VOLTAGE REGULATION          | 1    |
| 3-1  | 031718 | SCREW      | M 5 X 10 DIN 84A            | 2    |
| 3-2  | 031914 | LOCKWASHER | M 5 DIN 6797A               | 2    |
| 4    | 038345 | BRACKET    |                             | 1    |
| 5    | 038346 | SWITCH     | REGULATION SELECTION        | 1    |
| 6    | 034410 | REGULATOR  | ELECTRONIC-VOLTAGE-OPTIONAL | 1    |
| 7-1  | 031917 | LOCKWASHER | M 4 DIN 6797A               | 2    |
| 7-2  | 031934 | SCREW      | M 4 X 20 DIN 84A            | 2    |
| 8-1  | 030809 | RECTIFIER  | BRIDGE                      | 1    |
| 8-2  | 031931 | SCREW      | M 5 X 15 DIN 84A            | 1    |
| 8-3  | 031914 | LOCKWASHER | M 5 DIN 6797A               | 1    |
| 9    | 038347 | BLOCK      | TERMINAL 5 POLE             | 1    |
| 10-1 | 038342 | BLOCK      | TERMINAL AC OUTPUT          | 1    |
| 10-2 | 038343 | NUT        | M 6 BRASS                   | AR   |
| 10-3 | 038344 | BAR        | BUSS                        | AR   |
| 11   | 035943 | TERMINAL   | INSULATED                   | 2    |
| 12   | 036737 | CONNECTOR  | BOX - AC OUTPUT LEADS       | 1    |
| 13   | 036702 | LABEL      | AC OUTPUT CONNECTIONS       | 1    |

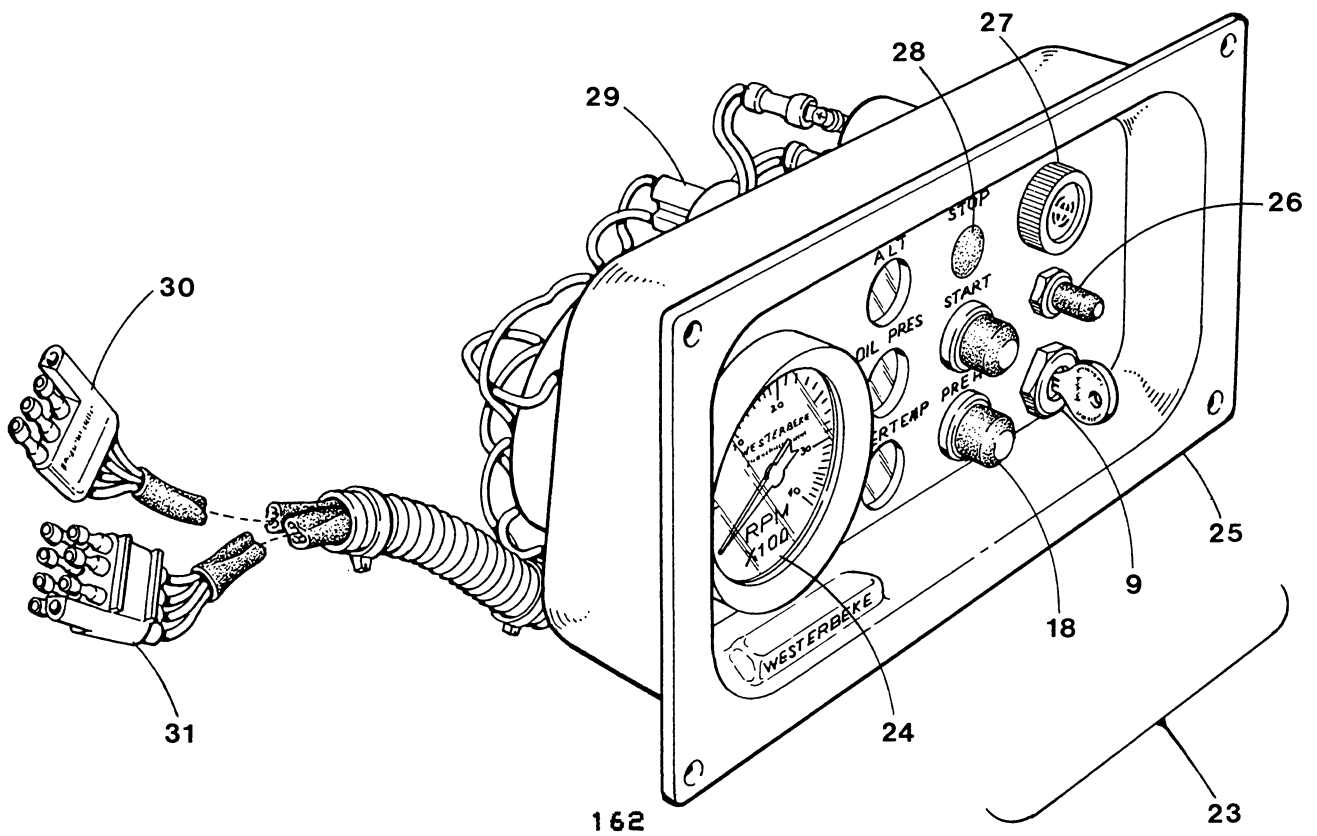
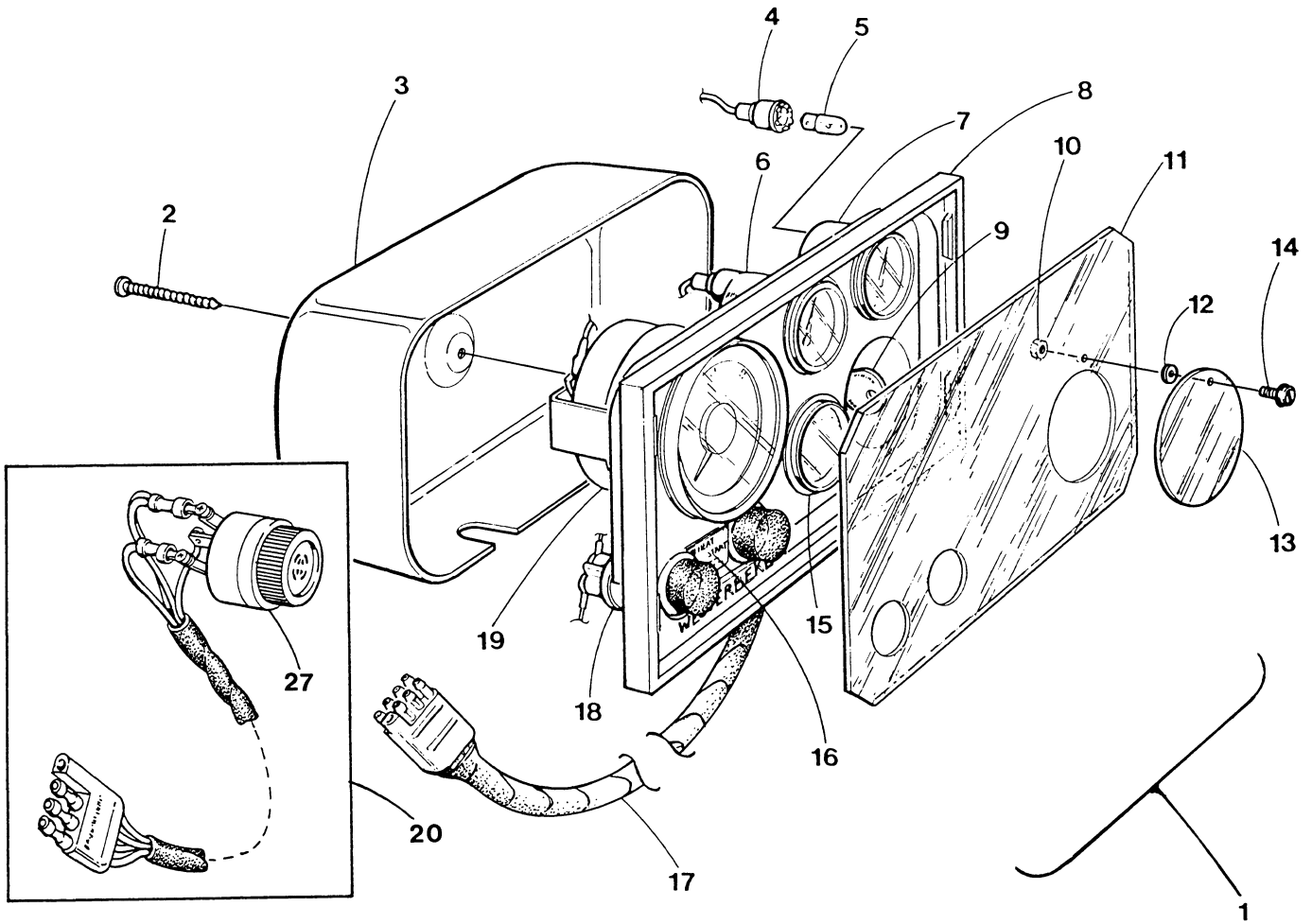




35B - 38B - 42B - ELECTRICAL SYSTEM

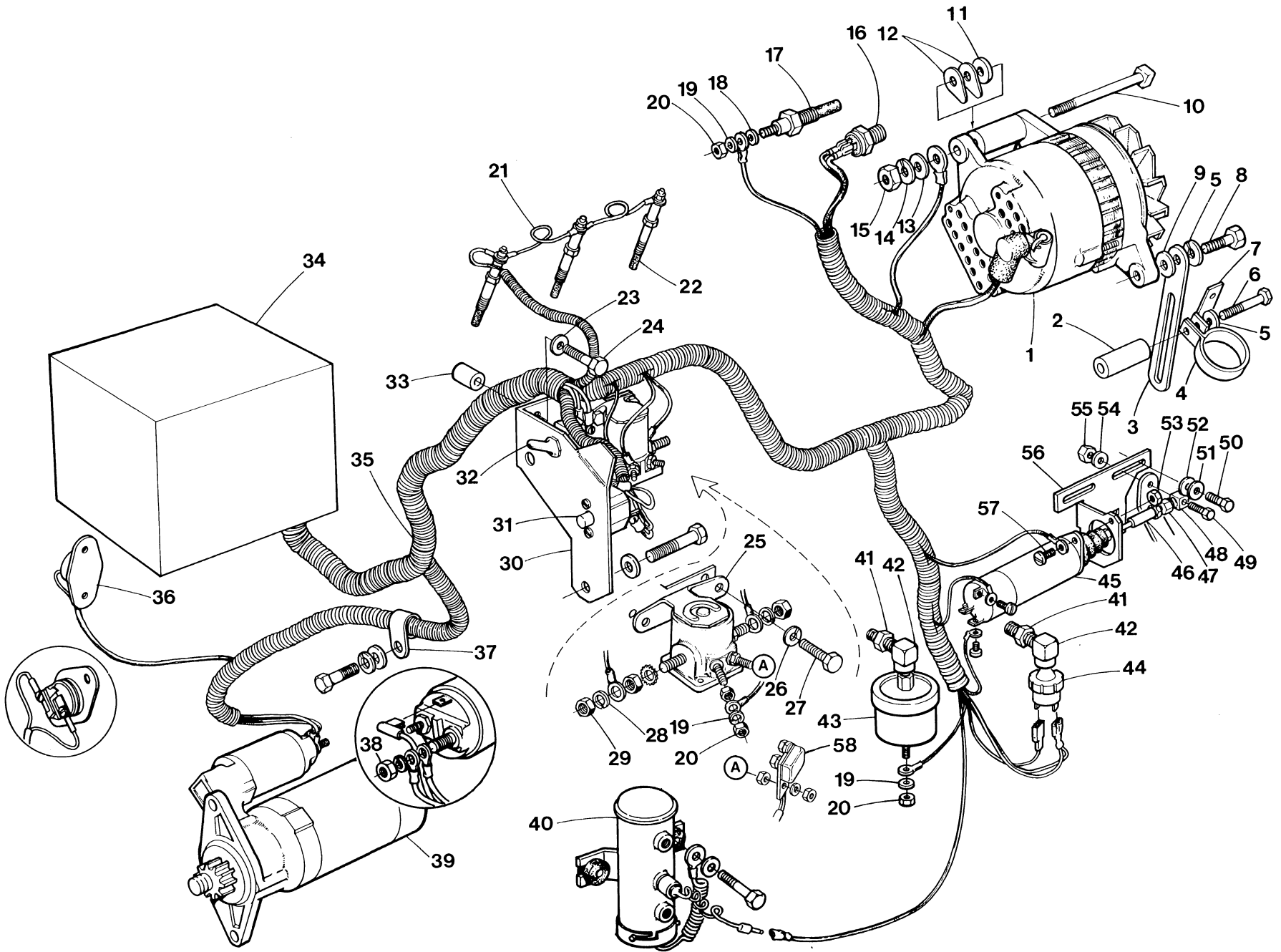
| REF  | PN     | NAME       | REMARKS                       | QUAN |
|------|--------|------------|-------------------------------|------|
| 1    | 030594 | ALTERNATOR | 50 AMP 12 VDC                 | 1    |
| 2    | 033565 | SPACER     | STRAP                         | 1    |
| 3    | 033064 | STRAP      | ADJUSTING                     | 1    |
| 4    | 033381 | WASHER     | ADJUSTING STRAP               | 1    |
| 5    | 031816 | CAPSCREW   | M 8 X 100 DIN 931             | 1    |
| 6    | 016789 | CAPSCREW   | M 8 X 16 DIN 933              | 1    |
| 7    | 031786 | LOCKWASHER | M 8 DIN 127                   | 1    |
| 8    | 033381 | WASHER     | SPACER                        | 1    |
| 9    | 032015 | BOLT       | ALTERNATOR MOUNTING           | 1    |
| 10   | 033381 | WASHER     | SPACER                        | 1    |
| 11   | 031787 | WASHER     | M 8 DIN 125                   | 1    |
| 12   | 031786 | LOCKWASHER | M 8 DIN 127                   | 1    |
| 13   | 018242 | NUT        | M 8 DIN 934                   | 1    |
| 14   | 030125 | SWITCH     | WATER TEMPERATURE             | 1    |
| 15   | 037453 | BUSHING    | 1/4NPT TO 1/8NPT              | 1    |
| 16   | 035109 | SENDER     | WATER TEMPERATURE             | 1    |
| 17   | 031848 | WASHER     | FLAT 10                       | 1    |
| 18   | 031849 | LOCKWASHER | 10                            | 3    |
| 19   | 031847 | NUT        | 10-32                         | 3    |
| 20-1 | 030221 | WIRE       | GLOWPLUG CONNECTING 35B       | 2    |
| 20-2 | 030221 | WIRE       | GLOWPLUG CONNECTING 38B,42B   | 3    |
| 21-1 | 024353 | GLOWPLUG   | 35B                           | 3    |
| 21-2 | 024353 | GLOWPLUG   | 38B,42B                       | 4    |
| 22-1 | 024683 | BREAKER    | CIRCUIT 20 AMP                | 1    |
| 22-2 | 031866 | SCREW      | 8-32 X 7/8                    | 2    |
| 22-3 | 031844 | LOCKWASHER | 8                             | 2    |
| 23   | 034418 | BRACKET    | CIRCUIT BREAKER AND SOLENOID  | 1    |
| 24   | 015812 | NUT        | M 6 DIN 934                   | 2    |
| 25   | 031783 | LOCKWASHER | M 6 DIN 127                   | 2    |
| 26   | 019262 | LOCKWASHER | M10 DIN 127                   | 1    |
| 27   | 024951 | CAPSCREW   | M10 X 1.25 X 20 DIN 961       | 1    |
| 28   | 031786 | LOCKWASHER | M 8 DIN 127                   | 1    |
| 29   | 020650 | CAPSCREW   | M 8 X 18 DIN 933              | 1    |
| 30   | 036561 | HARNESS    | ENGINE                        | 1    |
| 31   | 024752 | ADAPTER    | 1/4BSPT TO 1/8NPT             | 2    |
| 32   | 033935 | SWITCH     | OIL PRESSURE                  | 1    |
| 33   | 024132 | SENDER     | OIL PRESSURE                  | 1    |
| 34   | 011984 | ELBOW      | 1/8NPT STREET 90 STEEL        | 2    |
| 35   | 024831 | PUMP       | FUEL LIFT 12VDC               | 1    |
| 36-1 | 034552 | MOTOR      | STARTER 12 VDC 35B            | 1    |
| 36-2 | 030593 | MOTOR      | STARTER 12 VDC 38B,42B        | 1    |
| 37   | 018242 | NUT        | M 8 DIN 934                   | 1    |
| 38   | 024639 | SOLENOID   | PRE-HEAT 12 VDC               | 1    |
| 39   | 031758 | LOCKWASHER | 5/16                          | 2    |
| 40   | 031760 | NUT        | 5/16NF                        | 2    |
| 41   | 018804 | CAPSCREW   | M 6 X 20 DIN 933              | 2    |
| 42   | 036563 | BREAKER    | CIRCUIT 10 AMP                | 1    |
| 43   | 036467 | DIAGRAM    | ENGINE WIRING - CAPTAIN PANEL | 1    |

35B - 38B - 42B - INSTRUMENT PANELS



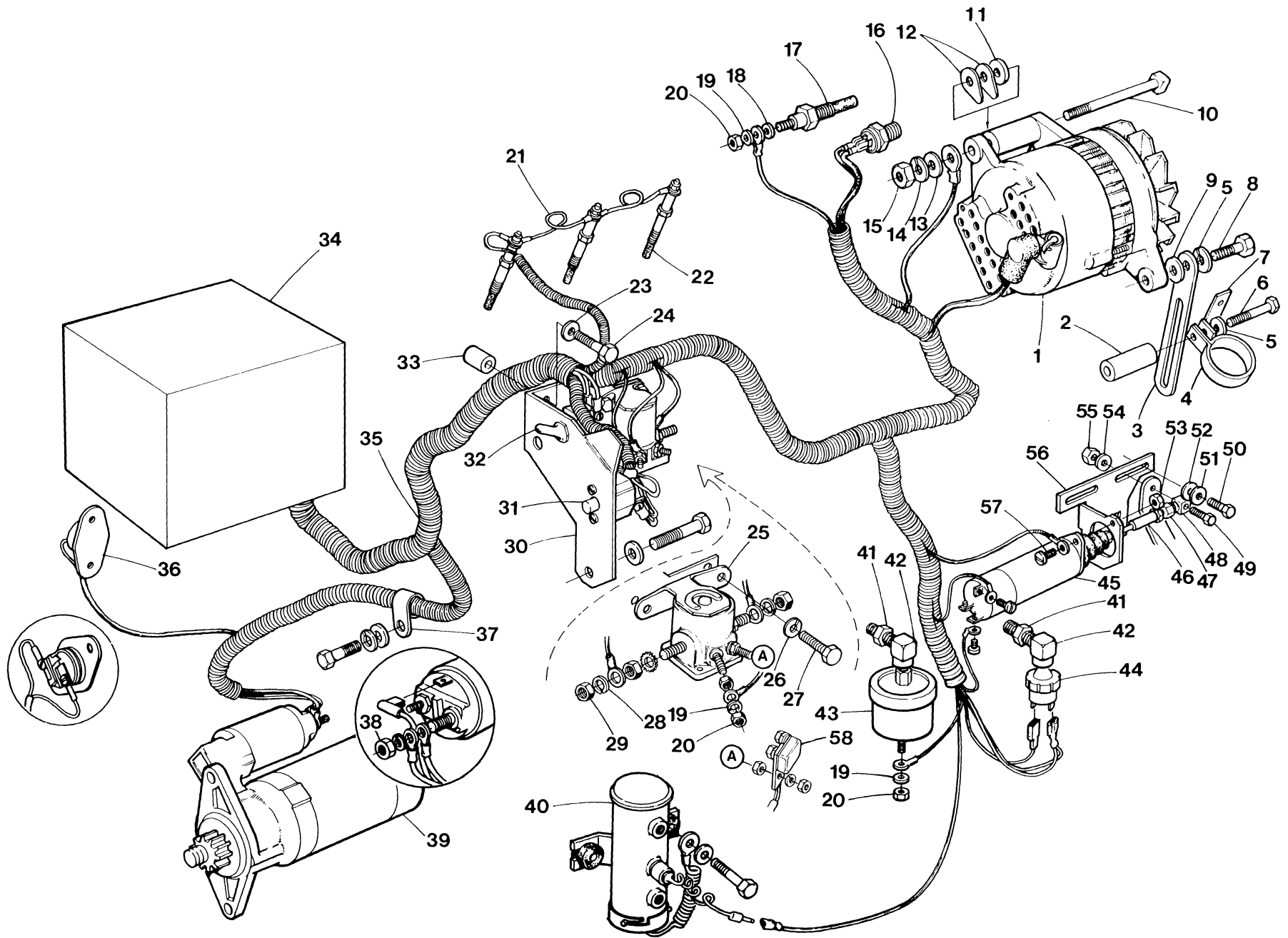
## 35B - 38B - 42B - INSTRUMENT PANELS

| REF  | PN     | NAME      | REMARKS                             | QUAN |
|------|--------|-----------|-------------------------------------|------|
| 1    | 036843 | PANEL     | ADMIRAL INCLUDING SENDERS AND ALARM | 1    |
| 2    | 030913 | SCREW     |                                     | 1    |
| 3    | 030119 | COVER     | PANEL REAR                          | 1    |
| 4    | 035118 | HOLDER    | LAMP WEDGE BASE                     | 3    |
| 5    | 035114 | LAMP      | INSTRUMENT 12 VDC WEDGE BASE        | 3    |
| 6    | 037601 | METER     | WATER TEMPERATURE                   | 1    |
| 7    | 037603 | METER     | OIL PRESSURE 100 PSI                | 1    |
| 8    | 033865 | PANEL     | PLATE                               | 1    |
| 9    | 033693 | KEYSWITCH | OFF-ON                              | 1    |
| 10   | 030003 | NUT       | NYLON LOCKING 6-32                  | 1    |
| 11   | 033684 | COVER     | FACEPLATE                           | 1    |
| 12   | 030002 | SPACER    | NYLON                               | 1    |
| 13   | 024996 | WINDOW    | KEYSWITCH COVER                     | 1    |
| 14   | 030001 | SCREW     | NYLON 6-32 X 1/2 WASHER HEAD        | 1    |
| 15   | 037605 | VOLTMETER | 12 VDC                              | 1    |
| 16   | 033682 | DECAL     | SWITCH IDENTIFICATION               | 1    |
| 17   | 030148 | CABLE     | PANEL TO ENGINE 8 PIN               | 1    |
| 18-1 | 033764 | SWITCH    | PUSHBUTTON START/PREHEAT            | 2    |
| 18-2 | 019031 | CAP       | SWITCH COVER REPLACEMENT            | 2    |
| 19   | 011917 | METER     | TACHOMETER-HOUR                     | 1    |
| 20   | 036829 | ALARM     | ASSEMBLY                            | 1    |
| 21   | 035825 | WIRE      | POWER TO METER LAMPS                | 3    |
| 22   | 036844 | DIAGRAM   | WIRING                              | 1    |
| 23   | 036473 | PANEL     | CAPTAIN                             | 1    |
| 24   | 035112 | METER     | TACHOMETER                          | 1    |
| 25   | 036043 | PANEL     | PLATE                               | 1    |
| 26-1 | 036479 | SWITCH    | TEST                                | 1    |
| 26-2 | 036490 | CAP       | SWITCH                              | 1    |
| 27   | 013355 | BUZZER    | ALARM                               | 1    |
| 28   | 030946 | PLUG      | NYLON                               | 1    |
| 29-1 | 024947 | LAMP      | 12 VDC                              | 3    |
| 29-2 | 036483 | HOLDER    | LAMP                                | 3    |
| 30   | 036626 | HARNESS   | PANEL TO ENGINE 4 PIN               | 1    |
| 31   | 036627 | HARNESS   | PANEL TO ENGINE 8 PIN               | 1    |
| 32   | 036477 | ASSEMBLY  | TERMINAL-DIODE                      | 1    |
| 33   | 036544 | SPACER    | TERMINAL-DIODE ASSEMBLY             | 2    |
| 34   | 036545 | SCREW     | 6-32 X 3/4 TAPPING SS               | 2    |
| 35   | 036824 | DIAGRAM   | WIRING                              | 1    |
| 36   | 036630 | DRAWING   | TEMPLATE TO INSTALL EITHER PANEL    | 1    |



10.0 BTD - 11.0 BTD - 12.5 BTDA - ELECTRICAL SYSTEM

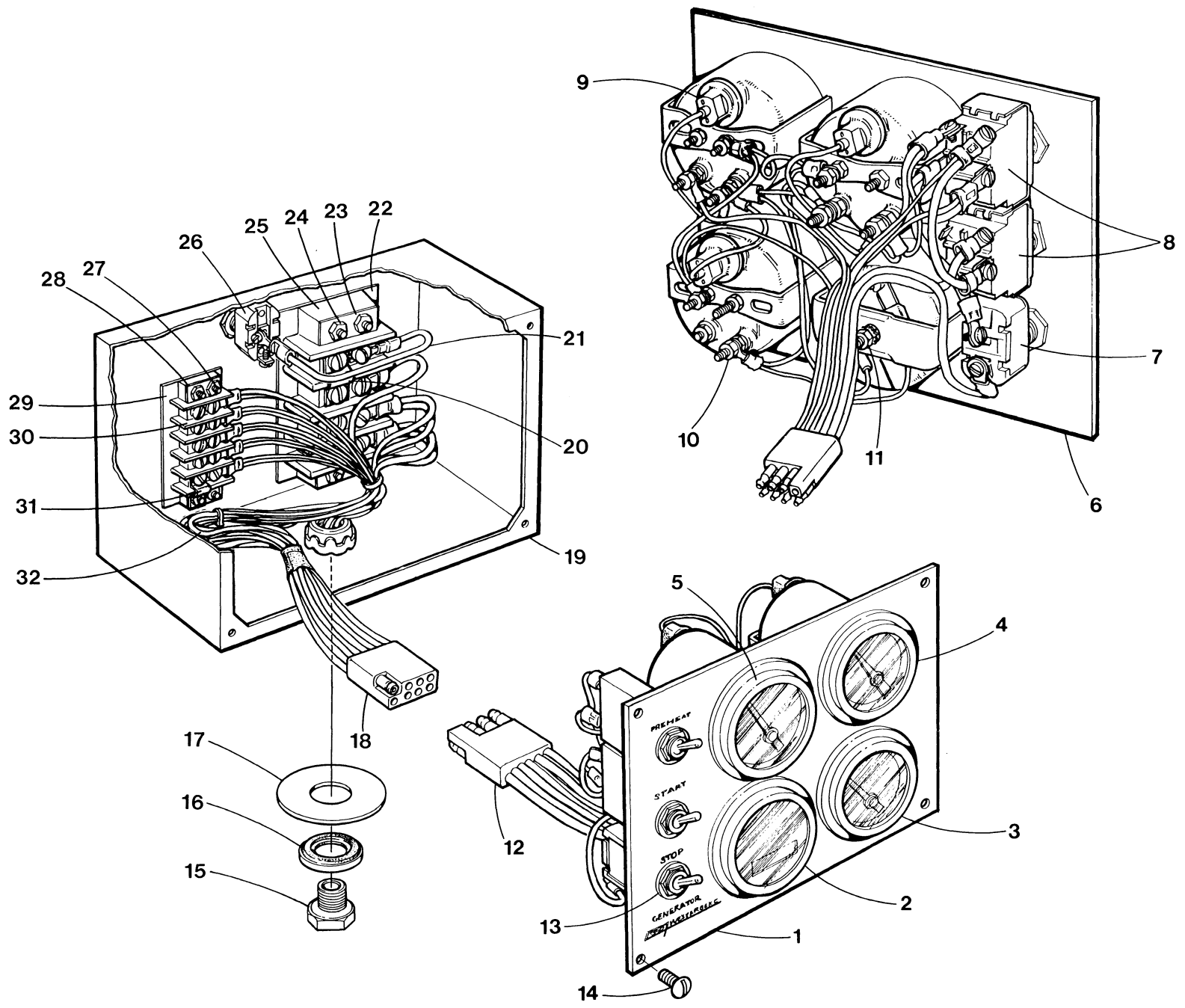
| REF  | PN     | NAME       | REMARKS                        | QUAN |
|------|--------|------------|--------------------------------|------|
| 1    | 030594 | ALTERNATOR | 50 AMP 12 VDC                  | 1    |
| 2    | 033565 | SPACER     | STRAP                          | 1    |
| 3    | 033064 | STRAP      | ADJUSTING                      | 1    |
| 4    | 035134 | CLAMP      |                                | 1    |
| 5    | 031786 | LOCKWASHER | M 8 DIN 127                    | 2    |
| 6    | 031817 | CAPSCREW   | M 8 X 105 DIN 931              | 1    |
| 7    | 034606 | BRACKET    | BELT GUARD                     | 1    |
| 8    | 016789 | CAPSCREW   | M 8 X 16 DIN 933               | 1    |
| 9    | 033381 | WASHER     | SPACER                         | 1    |
| 10   | 032015 | BOLT       | ALTERNATOR MOUNTING            | 1    |
| 11   | 033381 | WASHER     | SPACER                         | 1    |
| 12   | 030234 | SHIM       |                                | 2    |
| 13   | 031787 | WASHER     | M 8 DIN 125                    | 1    |
| 14   | 031786 | LOCKWASHER | M 8 DIN 127                    | 1    |
| 15   | 018242 | NUT        | M 8 DIN 934                    | 1    |
| 16   | 030096 | SWITCH     | WATER TEMPERATURE              | 1    |
| 17   | 035109 | SENDER     | WATER TEMPERATURE              | 1    |
| 18   | 031848 | WASHER     | FLAT 10                        | 1    |
| 19   | 031849 | LOCKWASHER | 10                             | 3    |
| 20   | 031847 | NUT        | 10-32                          | 3    |
| 21-1 | 030221 | WIRE       | GLOWPLUG CONNECTING 3 CYLINDER | 2    |
| 21-2 | 030221 | WIRE       | GLOWPLUG CONNECTING 4 CYLINDER | 3    |
| 22-1 | 024353 | GLOWPLUG   | 3 CYLINDER                     | 3    |
| 22-2 | 024353 | GLOWPLUG   | 4 CYLINDER                     | 4    |
| 23   | 031786 | LOCKWASHER | M 8 DIN 127                    | 2    |
| 24   | 013630 | CAPSCREW   | M 8 X 25 DIN 933               | 2    |
| 25   | 024639 | SOLENOID   | PREHEAT                        | 1    |
| 26   | 031783 | LOCKWASHER | M 6 DIN 127                    | 2    |
| 27-1 | 018804 | CAPSCREW   | M 6 X 20 DIN 933               | 2    |
| 27-2 | 015812 | NUT        | M 6 DIN 934                    | 2    |
| 28   | 031758 | LOCKWASHER | 5/16                           | 2    |
| 29   | 031760 | NUT        | 5/16NF                         | 2    |
| 30   | 034244 | BRACKET    | CIRCUIT BREAKER AND SOLENOID   | 1    |
| 31   | 024683 | BREAKER    | CIRCUIT 20 AMP                 | 1    |
| 32-1 | 033259 | SWITCH     | EMERGENCY STOP                 | 1    |
| 32-2 | 033258 | BOOT       | EMERGENCY STOP SWITCH          | 1    |
| 32-3 | 031999 | RING       | LOCKING                        | 1    |
| 33   | 021885 | SPACER     |                                | 2    |



10.0 BTD - 11.0 BTD - 12.5 BTDA - ELECTRICAL SYSTEM

| REF  | PN     | NAME       | REMARKS                     | QUAN |
|------|--------|------------|-----------------------------|------|
| 34   |        | PANEL      | CONTROL REFER TO PANEL PAGE | 1    |
| 35   | 036695 | HARNESS    |                             | 1    |
| 36   | 032923 | SWITCH     | EXHAUST TEMPERATURE         | 1    |
| 37   | 013760 | CLAMP      | HARNESS SUPPORT             | 1    |
| 38   | 018242 | NUT        | M 8 DIN 934                 | 1    |
| 39-1 | 034552 | MOTOR      | STARTER 10.0 BTD            | 1    |
| 39-2 | 030593 | MOTOR      | STARTER 11.0 BTD, 12.5 BTDA | 1    |
| 40   | 024831 | PUMP       | ELECTRIC FUEL LIFT          | 1    |
| 41   | 024752 | ADAPTER    | 1/4BSPT TO 1/8NPT           | 2    |
| 42   | 011984 | ELBOW      | 1/8NPT STREET 90 STEEL      | 2    |
| 43   | 024132 | SENDER     | OIL PRESSURE                | 1    |
| 44   | 033348 | SWITCH     | OIL PRESSURE                | 1    |
| 45   | 023041 | SOLENOID   | FUEL SHUTOFF                | 1    |
| 46   | 015225 | BALL JOINT |                             | 1    |
| 47   | 015534 | NUT        |                             | 1    |
| 48   | 034179 | BALL JOINT |                             | 1    |
| 49   | 031505 | CAPSCREW   | 1/4NC X 1                   | 1    |
| 50   | 031810 | CAPSCREW   | M 6 X 14 DIN 933            | 2    |
| 51   | 031783 | LOCKWASHER | M 6 DIN 127                 | 2    |
| 52   | 031784 | WASHER     | M 6 DIN 125                 | 2    |
| 53-1 | 031847 | NUT        | 10-32                       | 2    |
| 53-2 | 031849 | LOCKWASHER | 10                          | 2    |
| 54   | 031752 | LOCKWASHER | 1/4                         | 1    |
| 55   | 031750 | NUT        | 1/4NC                       | 1    |
| 56   | 034201 | BRACKET    | FUEL SOLENOID               | 1    |
| 57   | 031782 | SCREW      | 10-32 X 1/2                 | 2    |
| 58   | 036563 | BREAKER    | CIRCUIT 10 AMP              | 1    |
| 59   | 036412 | DIAGRAM    | GENERATOR DC CONTROL WIRING | 1    |

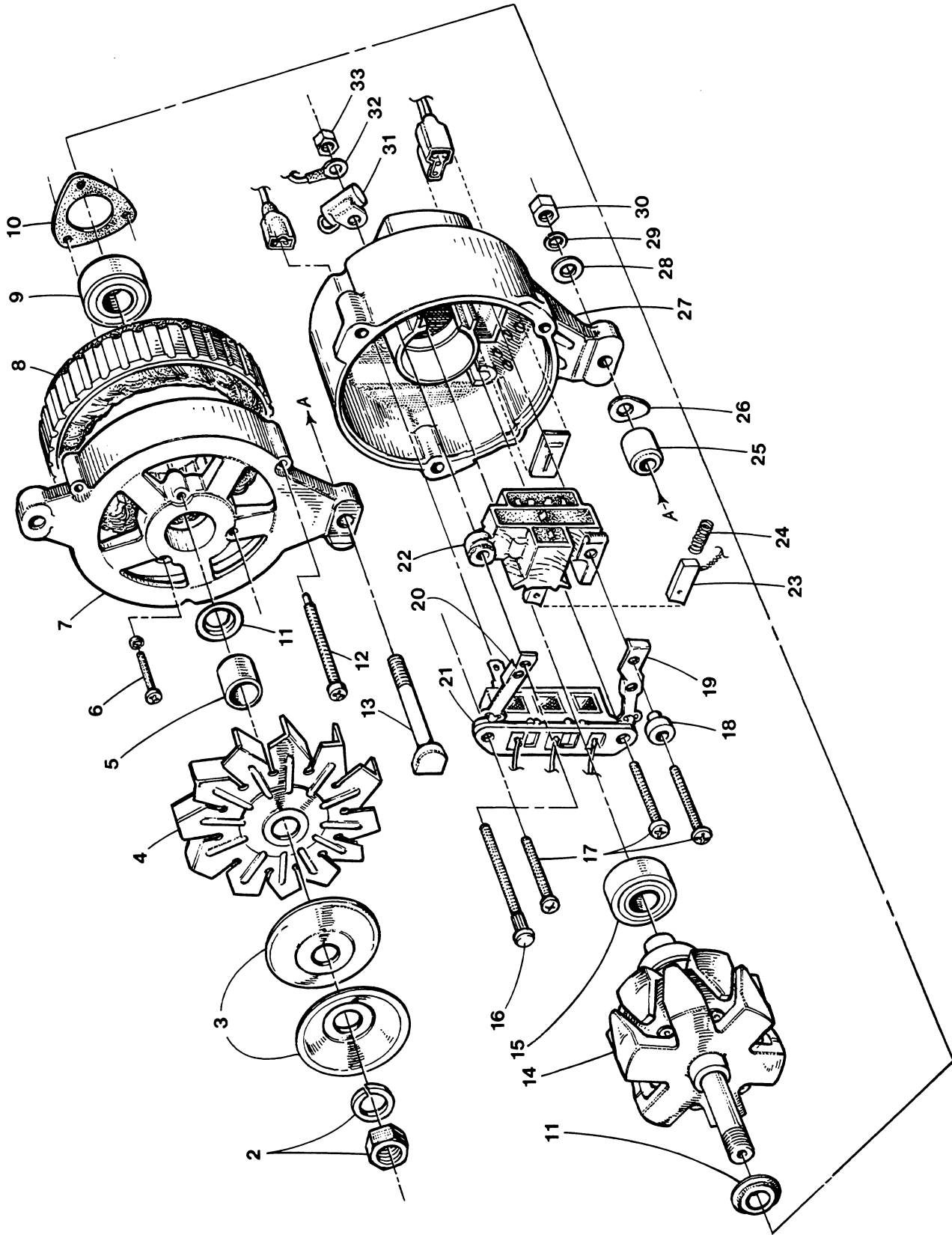




10.0 BTD - 11.0 BTD - 12.5 BTDA - GENERATOR CONTROL PANEL

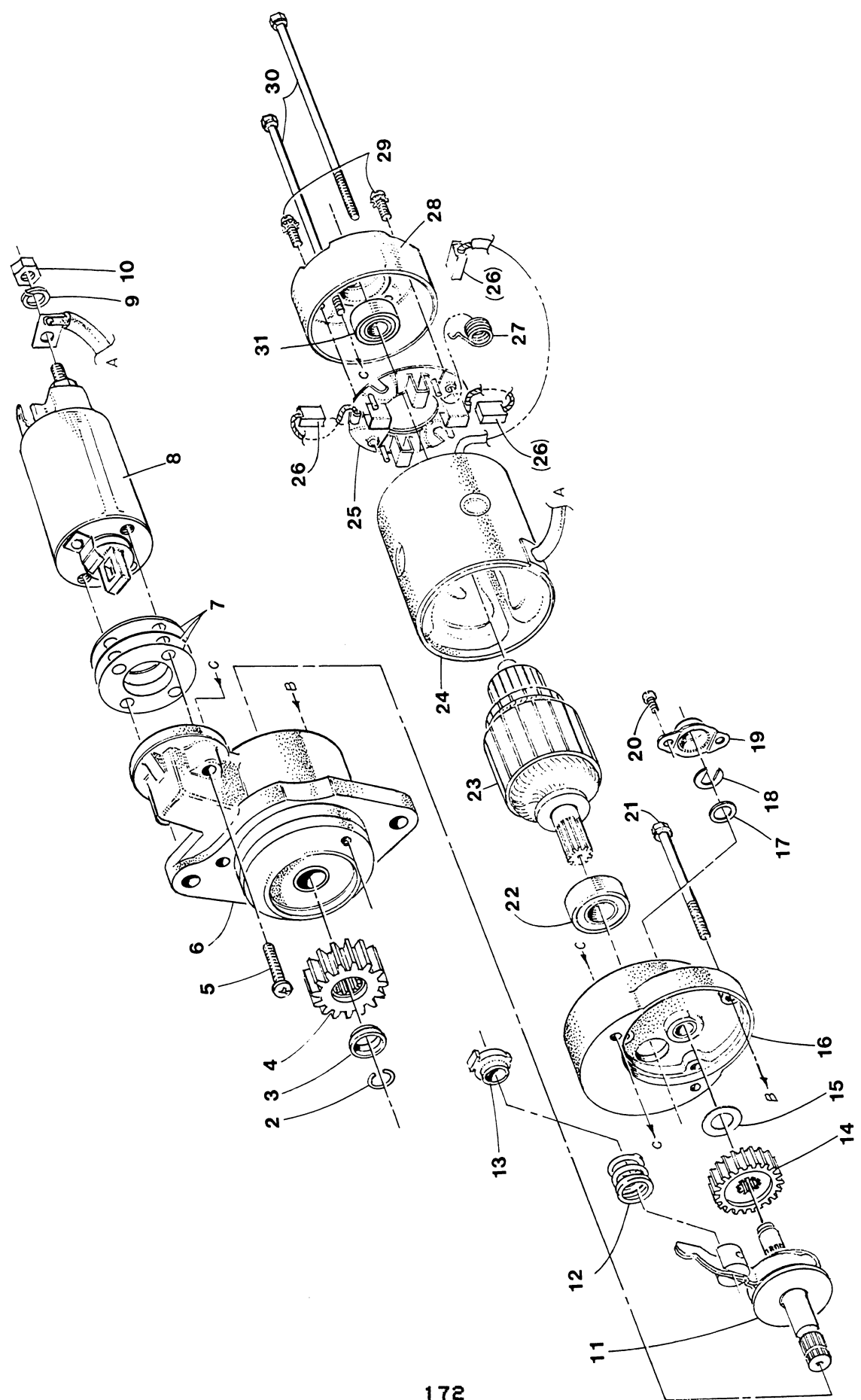
| REF  | PN     | NAME       | REMARKS                          | QUAN |
|------|--------|------------|----------------------------------|------|
| 1    | 036539 | PANEL      | GENERATOR CONTROL REF 2 THRU 13  | 1    |
| 2    | 036192 | HOURLMETER |                                  | 1    |
| 3    | 037605 | VOLTMETER  | 12 VDC                           | 1    |
| 4    | 037603 | METER      | OIL PRESSURE 0-100 PSI           | 1    |
| 5    | 037601 | METER      | WATER TEMPERATURE                | 1    |
| 6-1  | 034485 | PLATE      | PANEL                            | 1    |
| 6-2  | 035303 | COVER      | BOX-WHEN PANEL IS REMOTE MOUNTED | 1    |
| 7    | 024731 | SWITCH     | STOP                             | 1    |
| 8    | 024732 | SWITCH     | PREHEAT-START                    | 2    |
| 9-1  | 035114 | LAMP       | INSTRUMENT WEDGE BASE            | 3    |
| 9-2  | 035118 | HOLDER     | LAMP WEDGE BASE                  | 3    |
| 9-3  | 035825 | WIRE       | LAMP POWER CONNECTION            | 3    |
| 10-1 | 031900 | NUT        | 10-32                            | AR   |
| 10-2 | 031902 | LOCKWASHER | 10                               | AR   |
| 11   | 031904 | NUT        | 10-24 KEPS                       | 1    |
| 12   | 036538 | HARNESS    | PANEL                            | 1    |
| 13   | 031999 | RING       | TOGGLE SWITCH MOUNT LOCKING      | 3    |
| 14   | 034421 | SCREW      | 8-32 X 3/8 TRUSS HEAD BLACK SS   | 4    |
| 15   | 036464 | NIPPLE     | CHASE WITH BUSHING               | 1    |
| 16   | 036492 | RING       | SEALING                          | 1    |
| 17   | 036837 | WASHER     | REDUCER                          | 1    |
| 18   | 036695 | HARNESS    | ENGINE                           | 1    |
| 19-1 | 036712 | ASSEMBLY   | BOX AND HARNESS                  | 1    |
| 19-2 | 036466 | BOX        | GENERATOR CONTROL PANEL          | 1    |
| 20   | 013938 | JUMPER     | TERMINAL BLOCK                   | 1    |
| 21   | 036698 | WIRE       | STOP SWITCH TO TERMINAL BLOCK    | 1    |
| 22   | 013363 | MARKER     | TERMINAL BLOCK                   | 1    |
| 23   | 013856 | PLATE      | SCREW-TERMINAL BLOCK             | 2    |
| 24-1 | 031866 | SCREW      | 8-32 X 7/8 BINDING HEAD SS       | 4    |
| 24-2 | 031842 | NUT        | 8-32 HEX SS                      | 4    |
| 24-3 | 031843 | WASHER     | FLAT 8                           | 4    |
| 24-4 | 031844 | LOCKWASHER | 8                                | 4    |
| 25   | 013320 | BLOCK      | TERMINAL                         | 1    |
| 26-1 | 033259 | SWITCH     | EMERGENCY STOP                   | 1    |
| 26-2 | 033258 | BOOT       | EMERGENCY STOP SWITCH            | 1    |
| 26-3 | 033251 | LABEL      | EMERGENCY STOP SWITCH            | 1    |
| 27-1 | 031855 | SCREW      | 6-32 X 5/8 BINDING HEAD SS       | 4    |
| 27-2 | 031837 | NUT        | 6-32 HEX SS                      | 4    |
| 27-3 | 031838 | WASHER     | FLAT 6                           | 4    |
| 27-4 | 031839 | LOCKWASHER | 6                                | 4    |
| 28   | 015222 | PLATE      | SCREW-TERMINAL BLOCK             | 2    |
| 29   | 019122 | MARKER     | TERMINAL BLOCK                   | 1    |
| 30   | 019121 | BLOCK      | TERMINAL                         | 1    |
| 32   | 036232 | HARNESS    | PANEL BOX                        | 1    |

35B - 38B - 42B - 10.0 BTD - 11.0 BTD - 12.5 BTDA - ALTERNATOR



35B - 38B - 42B - 10.0 BTD - 11.0 BTD - 12.5 BTDA - ALTERNATOR

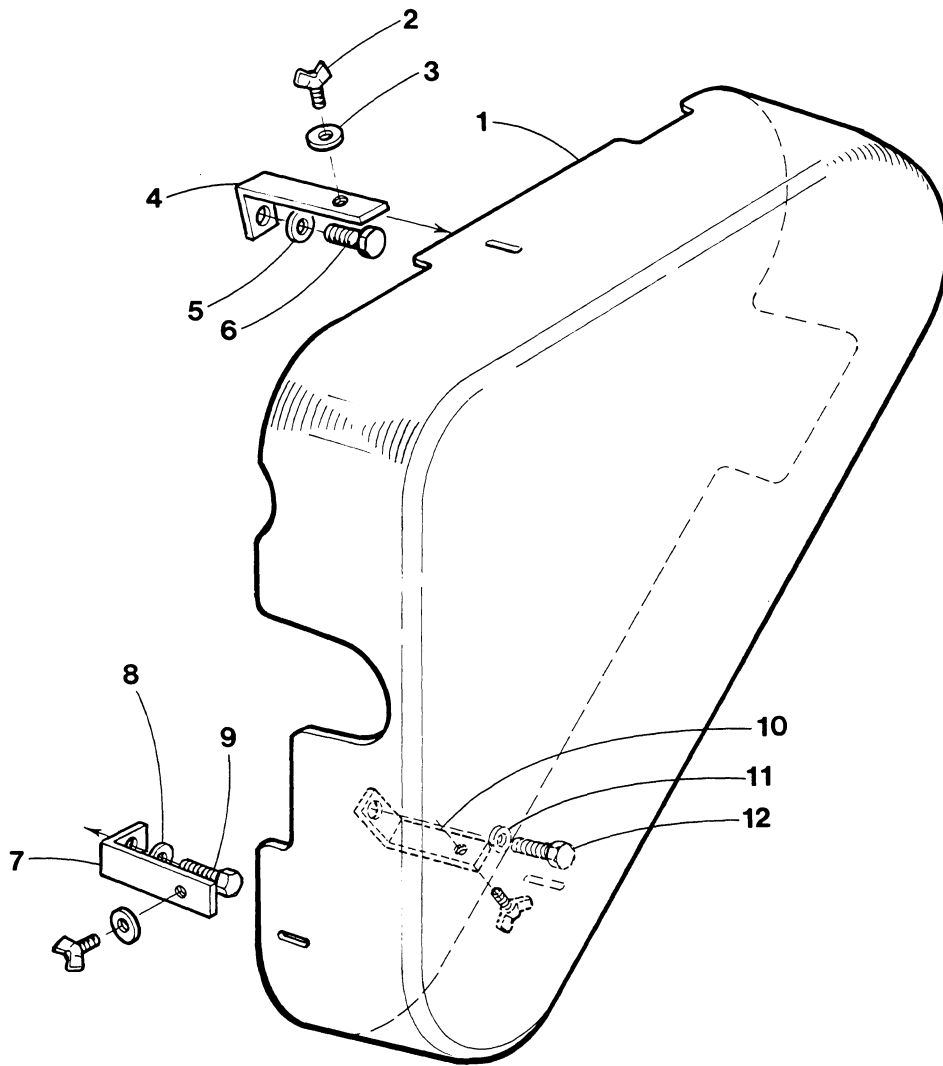
| REF | PN     | NAME       | REMARKS                                 | QUAN |
|-----|--------|------------|---|------|
| 1   | 030594 | ALTERNATOR | 12 VDC 50 AMP                           | 1    |
| 2   | 030694 | NUT SET    | INCLUDES LOCKWASHER                     | 1    |
| 3   | 030251 | PULLEY     | ASSEMBLY WITH FAN AND BUSHING           | 1    |
| 4   |        | FAN        | INCLUDED IN REF 3                       | 1    |
| 5   |        | SPACER     | INCLUDED IN REF 3                       | 1    |
| 6   | 030249 | SCREW SET  | BEARING RETAINING PLATE                 | 1    |
| 7   | 030254 | BRACKET    | FRONT ASSEMBLY INCLUDING BEARING REF 9  | 1    |
| 8   | 030255 | STATOR     |   | 1    |
| 9   | 030690 | BEARING    |   | 1    |
| 10  |        | PLATE      | BEARING RETAINING INCLUDED IN REF 7     | 1    |
| 11  |        | SLINGER    | INCLUDED IN REF 7                       | 1    |
| 12  | 030250 | SCREW SET  | ALTERNATOR HOUSING                      | 1    |
| 13  | 032015 | BOLT       | ALTERNATOR MOUNTING                     | 1    |
| 14  | 030253 | ROTOR      | ASSEMBLY INCLUDING BEARING REF 15       | 1    |
| 15  | 030248 | BEARING    |   | 1    |
| 16  | 030256 | TERMINAL   | SET INCLUDING REF 17,18,19,20,32        | 1    |
| 17  |        | SCREW      | INCLUDED IN REF 16                      | 3    |
| 18  |        | INSULATOR  | INCLUDED IN REF 16                      | 1    |
| 19  |        | STRAP      | INCLUDED IN REF 16                      | 1    |
| 20  |        | STRAP      | INCLUDED IN REF 16                      | 1    |
| 21  | 030703 | RECTIFIER  | ASSEMBLY                                | 1    |
| 22  | 030257 | REGULATOR  | ASSEMBLY INCLUDING BRUSH SET            | 1    |
| 23  | 030258 | BRUSH      |   | 2    |
| 24  | 030247 | SPRING     | BRUSH                                   | 2    |
| 25  | 033381 | SPACER     | ALTERNATOR MOUNT                        | 1    |
| 26  | 030234 | SHIM       | ALTERNATOR MOUNT                        | AR   |
| 27  | 030704 | BRACKET    | REAR ASSEMBLY INCLUDING REF 16,21,22,31 | 1    |
| 28  | 031787 | WASHER     | M 8 DIN 125                             | 1    |
| 29  | 031786 | LOCKWASHER | M 8 DIN 127                             | 1    |
| 30  | 018242 | NUT        | M 8 DIN 934                             | 1    |
| 31  | 030252 | CONDENSER  |   | 1    |
| 32  |        | NUT        | INCLUDED IN REF 16                      | 1    |
| 33  | 031086 | BOOT       | RUBBER                                  | 1    |



35B - 38B - 42B - 10.0 BTD - 11.0 BTD - 12.5 BTDA - STARTER MOTORS

| REF | PN     | NAME       | REMARKS                           | QUAN |
|-----|--------|------------|-----------------------------------|------|
| 1-1 | 034552 | MOTOR      | STARTER 12 VDC 3 CYLINDER         | 1    |
| 1-2 | 030593 | MOTOR      | STARTER 12 VDC 4 CYLINDER         | 1    |
| 2   |        | RING       | RETAINING SEE REF 3               | 1    |
| 3   | 030261 | RETAINER   | INCLUDING REF 2                   | 1    |
| 4-1 | 038703 | PINION     | MOTOR 34552 INCL REF 2 AND 3      | 1    |
| 4-2 | 030700 | PINION     | MOTOR 30593 INCL REF 2 AND 3      | 1    |
| 5   | 030263 | SCREW SET  | INCLUDING REF 29                  | 1    |
| 6   |        | BRACKET    | FRONT                             | 1    |
| 7   |        | SHIMS      | SOLENOID SEE REF 8                | AR   |
| 8-1 | 036218 | SOLENOID   | MOTOR 34552 INCLUDING REF 7       | 1    |
| 8-2 | 030245 | SOLENOID   | MOTOR 30593 INCLUDING REF 7       | 1    |
| 9   | 031786 | LOCKWASHER | M 8 DIN 127                       | 2    |
| 10  | 018242 | NUT        | M 8 DIN 934                       | 2    |
| 11  | 030265 | SHAFT      | ASSEMBLY                          | 1    |
| 12  |        | SPRING     |                                   | 1    |
| 13  |        | RETAINER   |                                   | 1    |
| 14  | 030695 | GEAR       |                                   | 1    |
| 15  |        | WASHER     | SEE REF 19                        | 1    |
| 16  |        | BRACKET    | CENTER                            | 1    |
| 17  |        | WASHER     | SEE REF 19                        | 1    |
| 18  |        | CLIP       | SEE REF 19                        | 1    |
| 19  | 030696 | COVER      | INCLUDING REF 15,17,18,20         | 1    |
| 20  |        | SCREW      | SEE REF 19                        | 2    |
| 21  | 030692 | CAPSCREW   | M 5 X 73                          | 1    |
| 22  | 031305 | BEARING    | ARMATURE                          | 1    |
| 23  |        | ARMATURE   | INCLUDING BEARINGS                | 1    |
| 24  |        | HOUSING    | YOKE ASSEMBLY                     | 1    |
| 25  | 030262 | HOLDER     | BRUSH ASSEMBLY INCL REF 26 AND 27 | 1    |
| 26  |        | BRUSH      | SEE REF 25                        | 4    |
| 27  | 030246 | SPRING     | BRUSH                             | 1    |
| 28  | 030697 | HOUSING    | REAR                              | 1    |
| 29  |        | SCREW      | SEE REF 5                         | 2    |
| 30  |        | CAPSCREW   |                                   | 2    |
| 31  | 031306 | BEARING    | ARMATURE                          | 1    |

10.0 BTD - 11.0 BTD - 12.5 BTDA - BELT GUARD



10.0 BTD - 11.0 BTD - 12.5 BTDA - BELT GUARD

| REF | PN     | NAME       | REMARKS          | QUAN |
|-----|--------|------------|------------------|------|
| 1   | 034236 | GUARD      | BELT             | 1    |
| 2   | 033228 | SCREW      | WING 10-32 X 1/2 | 3    |
| 3-1 | 031849 | LOCKWASHER | 10               | 3    |
| 3-2 | 033372 | WASHER     | FLAT             | 3    |
| 4   | 034606 | BRACKET    | TOP              | 1    |
| 7   | 033380 | BRACKET    | LEFT             | 1    |
| 10  | 033380 | BRACKET    | RIGHT            | 1    |



## 35B - 38B - 42B - 10.0 BTD - 11.0 BTD - 12.5 BTDA - MISCELLANEOUS

| REF  | PN     | NAME       | REMARKS                                 | QUAN |
|------|--------|------------|---|------|
| 1-1  | 037649 | KIT A      | SPARE PARTS 35B,10.0 BTD                | 1    |
| 1-2  | 037691 | KIT A      | SPARE PARTS 38B,11.0 BTD                | 1    |
| 1-3  | 037709 | KIT A      | SPARE PARTS 42B,12.5 BTDA               | 1    |
| 2-1  | 037650 | KIT B      | SPARE PARTS EXTD CRUISING 35B,10.0 BTD  | 1    |
| 2-2  | 037692 | KIT B      | SPARE PARTS EXTD CRUISING 38B,11.0 BTD  | 1    |
| 2-3  | 037710 | KIT B      | SPARE PARTS EXTD CRUISING 42B,12.5 BTDA | 1    |
| 3-1  | 037651 | GASKET SET | UPPER 35B,10.0 BTD                      | 1    |
| 3-2  | 037693 | GASKET SET | UPPER 38B,11.0 BTD                      | 1    |
| 3-3  | 037711 | GASKET SET | UPPER 42B,12.5 BTDA                     | 1    |
| 4-1  | 037652 | GASKET SET | COMPLETE 35B,10.0 BTD                   | 1    |
| 4-2  | 037694 | GASKET SET | COMPLETE 38B,11.0 BTD                   | 1    |
| 4-3  | 037712 | GASKET SET | COMPLETE 42B,12.5 BTDA                  | 1    |
| 5    | 032974 | FILTER     | PRIMARY FUEL                            | 1    |
| 6    | 015010 | STRAINER   | SEA WATER                               | 1    |
| 7    | 033327 | VALVE      | ANTI-SIPHON                             | 1    |
| 8    | 013758 | PAINT      | RED AEROSOL SPRAY CAN                   | 1    |
| 9    | 020654 | SPLITTER   | ALTERNATOR OUTPUT                       | 1    |
| 10-1 | 030760 | HARNESS    | 15 FOOT PANEL EXTENSION 8 PIN           | 1    |
| 10-2 | 036557 | HARNESS    | 15 FOOT PANEL EXTENSION 4 PIN           | 1    |
| 11   | 032149 | FILTER KIT | REMOTE LUBE OIL                         | 1    |
| 12-1 | 032009 | SWITCH     | GENERATOR SHIP-SHORE 10.0 BTD           | 1    |
| 12-2 | 032010 | SWITCH     | GENERATOR SHIP-SHORE 11.0 BTD,12.5 BTDA | 1    |
| 13   | 033093 | KIT        | FUEL HARDWARE                           | 1    |
| 14-1 | 037435 | MANUAL     | OPERATOR 35B,38B,42B                    | 1    |
| 14-2 | 036746 | MANUAL     | OPERATOR 10.0 BTD,11.0 BTD,12.5 BTDA    | 1    |
| 15   | 038704 | MANUAL     | TECHNICAL                               | 1    |
| 16   | 034936 | MUFFLER    | HYDRO-HUSH C                            | 1    |
| 17-1 | 033340 | ADAPTER    | HOSE TO MUFFLER-STRAIGHT                | AR   |
| 17-2 | 033341 | ADAPTER    | HOSE TO MUFFLER-45 DEGREE               | AR   |
| 17-3 | 033342 | ADAPTER    | HOSE TO MUFFLER-90 DEGREE               | AR   |

